



Neohm | Neohm R

TE Internal #: 2-1676913-7

1M  $\Omega$ , Thin Film, Precision Resistor, .1 %, 6.3 x 2.3 mm, 2 Termination, Ammo Packed, .25 W,  $\pm 15$  ppm/ $^{\circ}\text{C}$ , Copper Termination, Axial-Leaded, Neohm R

[View on TE.com >](#)

Passive Components > Resistors > Through-Hole Resistors



Resistor Type: **Precision Resistor**

Passive Component Dimensions: **6.3 x 2.3 mm**

Number of Terminations: **2**

Packaging Method: **Ammo Packed**

Passive Component Tolerance: **.1 %**

## Features

### Product Type Features

Resistor Type	Precision Resistor
Element Type	Thin Film

### Configuration Features

Number of Resistors	1
---------------------	---

### Electrical Characteristics

Operating Voltage	250 V
Passive Component Tolerance	.1 %
Resistance Class	1M $\Omega$ – 1G $\Omega$
Resistance Value	1M $\Omega$
Power Rating	.25 W

### Body Features

Lead Type	Axial-Leaded
-----------	--------------

### Termination Features

Number of Terminations	2
Termination Area Base Material	Copper

### Dimensions

Passive Component Dimensions	6.3 x 2.3 mm
------------------------------	--------------

### Usage Conditions

Operating Temperature Range	-65 – 155 $^{\circ}\text{C}$
Temperature Coefficient	$\pm 15$ ppm/ $^{\circ}\text{C}$

### Packaging Features

Packaging Method	Ammo Packed
------------------	-------------

### Product Compliance

For compliance documentation, visit the product page on [TE.com](https://www.te.com)>

EU RoHS Directive 2011/65/EU	Compliant
EU ELV Directive 2000/53/EC	Compliant
China RoHS 2 Directive MIIT Order No 32, 2016	No Restricted Materials Above Threshold
EU REACH Regulation (EC) No. 1907/2006	Current ECHA Candidate List: JUNE 2023 (235) Candidate List Declared Against: JUNE 2023 (235) Does not contain REACH SVHC
Halogen Content	Low Halogen - Br, Cl, F, I < 900 ppm per homogenous material. Also BFR/CFR/PVC Free
Solder Process Capability	Reflow solder capable to 260 $^{\circ}\text{C}$

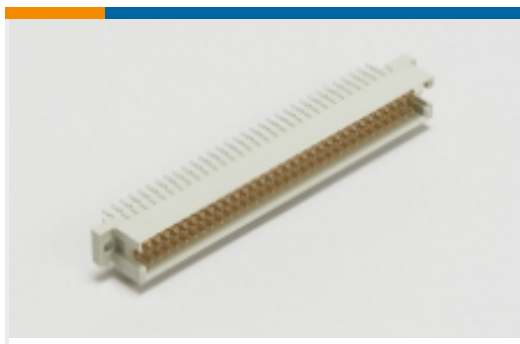
#### Product Compliance Disclaimer

This information is provided based on reasonable inquiry of our suppliers and represents our current actual knowledge based on the information they provided. This information is subject to change. The part numbers that TE has identified as EU RoHS compliant have a maximum concentration of 0.1% by weight in homogenous materials for lead, hexavalent chromium, mercury, PBB, PBDE, DBP, BBP, DEHP, DIBP, and 0.01% for cadmium, or qualify for an exemption to these limits as defined in the Annexes of Directive 2011/65/EU (RoHS2). Finished electrical and electronic equipment products will be CE marked as required by Directive 2011/65/EU. Components may not be CE marked. Additionally, the part numbers that TE has identified as EU ELV compliant have a maximum concentration of 0.1% by weight in homogenous materials for lead, hexavalent chromium, and mercury, and 0.01% for cadmium, or qualify for an exemption to these limits as defined in the Annexes of Directive 2000/53/EC (ELV). Regarding the REACH Regulation, the information TE provides on SVHC in articles for this part number is based on the latest European Chemicals Agency (ECHA) 'Guidance on requirements for substances in articles' posted at this URL: <https://echa.europa.eu/guidance-documents/guidance-on-reach>

### Compatible Parts



Also in the Series | **Neohm R**



Eurocard Connectors(1)



Through-Hole Resistors(484)

## Customers Also Bought



TE Part #1625862-1  
RH73 2A 10G 30% 1000PPM 1K RL



TE Part #9-1879215-8  
CPF 0402 47K5 0.1% 25PPM 1K RL



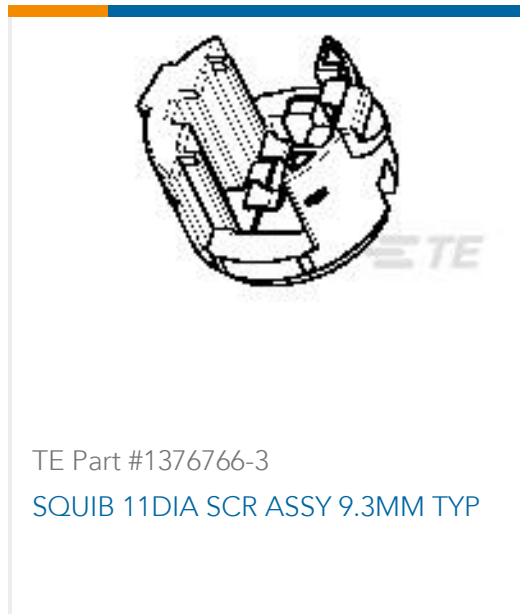
TE Part #9-2176091-6  
RP 2A 0.25W 590R 0.1% 25PPM 1K RL



TE Part #1376766-1  
SQUIB 11DIA SCR ASSY 9.3MM TYP



TE Part #20014203-07  
PRESS XDCR M323M-000004-017BG



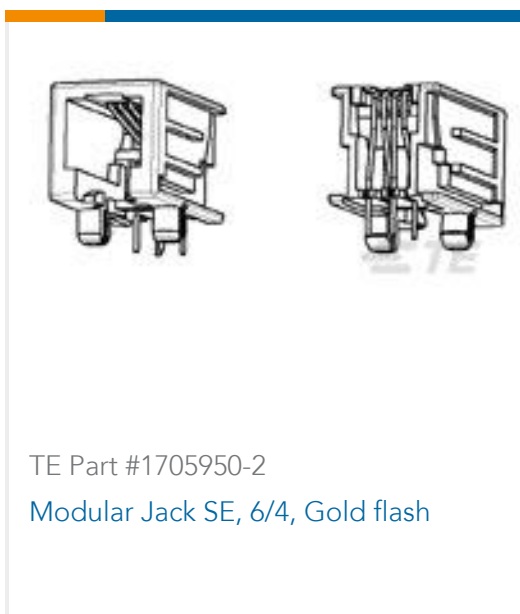
TE Part #1376766-3  
SQUIB 11DIA SCR ASSY 9.3MM TYP



TE Part #1-1703885-1  
2POS,SHORT CIRC SPR,HOUSING



TE Part #2-1703885-1  
2POS,SHORT CIRC SPR,HOUSING



TE Part #1705950-2  
Modular Jack SE, 6/4, Gold flash



TE Part #PF0000570  
P011TRANS\_ 6.0X\_50 \_\_\_\_\_ 3N

## Documents

### CAD Files

[3D PDF](#)

[3D](#)

### Customer View Model

[ENG\\_CVM\\_CVM\\_2-1676913-7\\_BA.2d\\_dxf.zip](#)

English

### Customer View Model

[ENG\\_CVM\\_CVM\\_2-1676913-7\\_BA.3d\\_igs.zip](#)



English

### Customer View Model

[ENG\\_CVM\\_CVM\\_2-1676913-7\\_BA.3d\\_stp.zip](#)

English

By downloading the CAD file I accept and agree to the [Terms and Conditions](#) of use.

### Datasheets & Catalog Pages

[1309350\\_PASSIVE\\_COMPONENT](#)

English

### Product Environmental Compliance

[TE Material Declaration](#)

English