
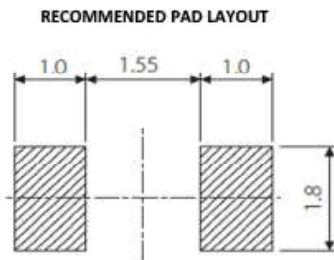
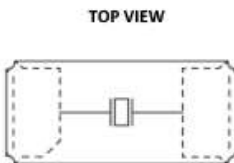
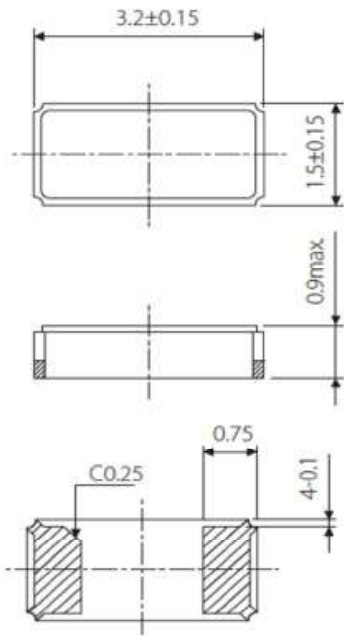


Table 1. Electrical Performance

Parameter	Symbol	Min.	Typ	Max	Units
Nominal Frequency	F_{NOM}		32.768		kHz
Crystal Mode		Tuning Fork			
Operating Temperature Range	T_{OP}	-40		85	°C
Frequency Stability					
Stability Over T_{OP}	F_{STAB}	-0.040			ppm/°C ²
Turnover Temperature	T_P	20	25	30	°C
Frequency Tolerance (Referenced to 25 °C)	F_{TOL}			±20	ppm
Load Capacitance	C_L		12.5		pF
Equivalent Series Resistance	ESR			70	KOhms
Shunt Capacitance	C_o	0.6		1.2	pF
Motional Capacitance	C_1	3.0		4.4	fF
Drive Level			0.1	0.5	uW
Q Factor		13000			
Aging / 1st year (at 25 °C)	F_{AGE}			±3	ppm
Insulation Resistance		500			MOhm
Storage Temperature	T_{STO}	-55		125	°C

Product is compliant to RoHS directive and fully compatible with lead free assembly. 

Package Drawing



All Dimensions in mm

Marking Information

VYYMC

where

V = Vectron

YY = Manufacturing Year (Ex: 19: 2019)

M = Production Month (A: Jan, B: Feb., C: March...)

C = Manufacturing Location

Alternative Markings

TSSFYWW

where

TSS = Product Identifier

F = 12.5 pF

Y = Year

WW = Week

32YWW

where

32 = 32.768kHz

Y = Year

WW = Week

YM###

where

Y = Year

M = Month

= Lot Number

Reliability & IR Compliance

Solderprofile:

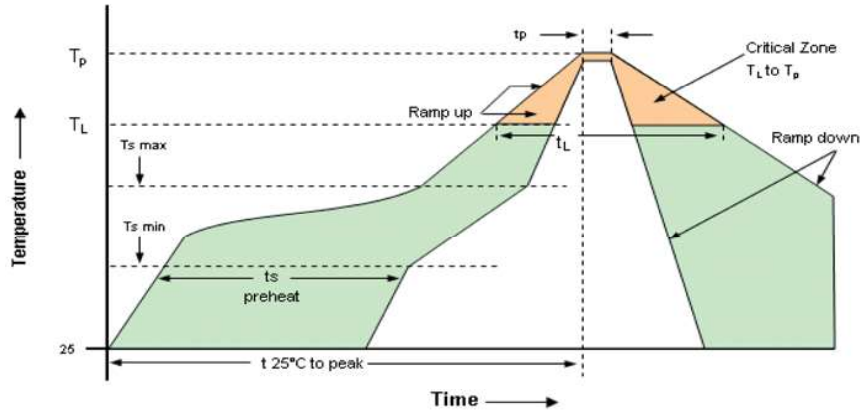


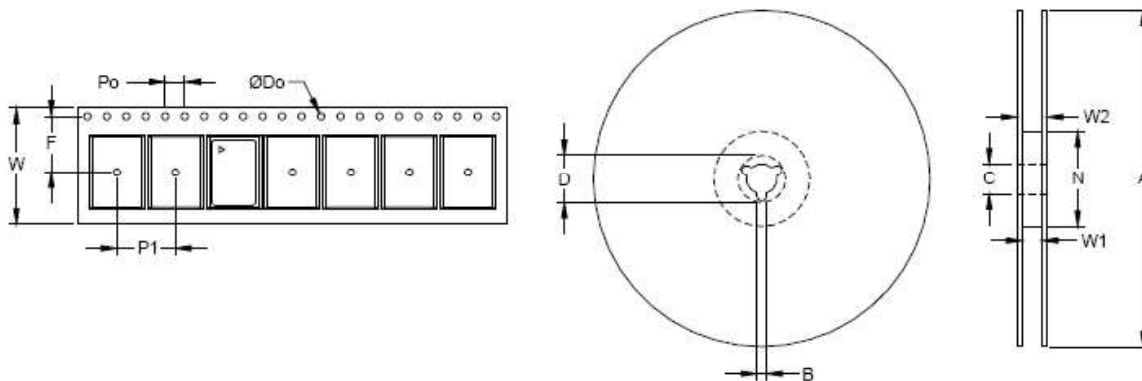
Table 2: Reflow Profile

Parameter	Symbol	Value
PreHeat Time Ts-min Ts-max	t_s	60 sec Min, 260 sec Max 150°C 200°C
Ramp Up	R_{UP}	3 °C/sec Max
Time Above 217 °C	t_L	60 sec Min, 150 sec Max
Time To Peak Temperature	T_{AMB-P}	480 sec Max
Time at 260 °C	t_p	30 sec Max
Ramp Down	R_{DN}	6 °C/sec Max

Tape & Reel

Table 3 . Tape and Reel Dimensions

Dimension	Tape Dimensions (mm)					Reel Dimensions (mm)								
	W	F	Do	Po	P1	A	B	C	D	N	W1	W2	# Per Reel	
VMK3	12	5.5	1.5	4.0	4.0	180	2	13	21	60	13.0	15.4	3000	



Ordering Information

VMK3- 9005- 32K7680000xx

Product

3.2 X 1.5mm, Crystal

Source Control

Drawing Number

Packaging

TR: Tape and Reel

blank: Cut Tape / non TR quantities

Frequency in kHz

Example:

VMK3-9005-32K7680000TR

Tape and Reel

VMK3-9005-32K7680000

Cut Tape

Revision History

Revision Date	Description
Dec 12, 2019	Initial
Feb 15, 2021	Add tape and reel ordering option
May 15, 2021	Update marking

Contact Information

USA:

100 Watts Street
Mt Holly Springs, PA 17065
Tel: 1.717.486.3411
Fax: 1.717.486.5920

Europe:

Landstrasse
74924 Neckarbischofsheim
Germany
Tel: +49 (0) 7268.801.0
Fax: +49 (0) 7268.801.281



Information contained in this publication regarding device applications and the like is provided only for your convenience and may be superseded by updates. It is your responsibility to ensure that your application meets with your specifications. MICROCHIP MAKES NO REPRESENTATION OR WARRANTIES OF ANY KIND WHETHER EXPRESS OR IMPLIED, WRITTEN OR ORAL, STATUTORY OR OTHERWISE, RELATED TO THE INFORMATION INCLUDING, BUT NOT LIMITED TO ITS CONDITION, QUALITY, PERFORMANCE, MERCHANTABILITY OR FITNESS FOR PURPOSE. Microchip disclaims all liability arising from this information and its use. Use of Microchip devices in life support and/or safety applications is entirely at the buyer's risk, and the buyer agrees to defend, indemnify and hold harmless Microchip from any and all damages, claims, suits, or expenses resulting from such use. No licenses are conveyed, implicitly, or otherwise, under any Microchip intellectual property rights unless otherwise stated.

Trademarks

The Microchip and Vectron names and logos are registered trademarks of Microchip Technology Incorporated in the U.S.A. and other countries.