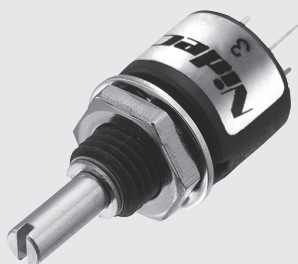


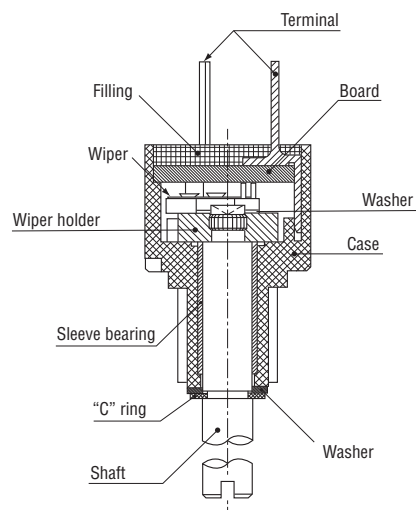
# CONDUCTIVE PLASTIC SINGLE TURN TYPE

# JC10 series

RoHS compliant



## Basic construction Conductive plastic single turn type



## FEATURES

- Compact ( $\phi 10$  mm)
- Long life
- High resolution (Essentially infinite)
- High following characteristics
- Cost effective
- RoHS compliant

## PART NUMBER DESIGNATION

JC10-000-202N

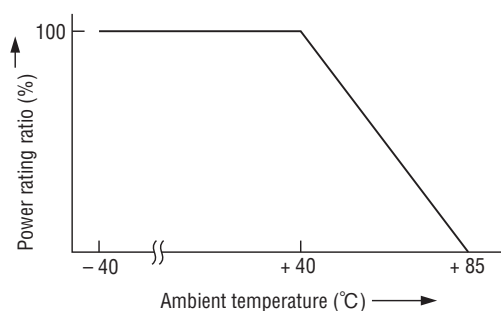
Series name

Nominal resistance value ( $\Omega$ )  
2 k, 5 k, 10 k

## LIST OF PART NUMBERS

Nominal resistance value	Part number
2 k $\Omega$	JC10-000-202N
5 k $\Omega$	JC10-000-502N
10 k $\Omega$	JC10-000-103N

## RATED POWER DERATING CURVE



# JC10 POTENTIOMETERS

## STANDARD SPECIFICATIONS

### Electrical characteristics

Nominal resistance value		2 k $\Omega$ , 5 k $\Omega$ , 10 k $\Omega$
Resistance tolerance	%	$\pm 20$
Resolution		Essentially infinite
Independent linearity	%	$\pm 2$
Effective electrical angle		324° $\pm 5^\circ$
Power rating (at 40 °C)	W	0.125
Dielectric strength	Vrms	500, 1min
Insulation resistance	M $\Omega$ minimum	100 (at DC 500 V)
Temp. coefficient of resistance	ppm/°C	$\pm 400$
Output smoothness		0.1 % maximum

### Mechanical characteristics

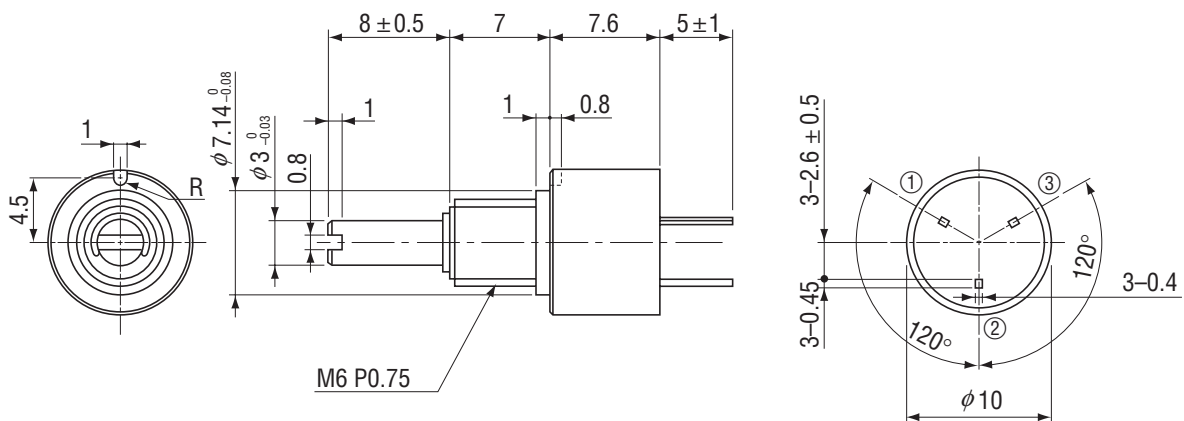
Mechanical angle		360° continuous
Rotational torque	mN·m {gf·cm} maximum	1.96 {20}
Rotational life (cycles)		5 million
Strength of tighten screw	N·cm {kgf·cm}	49 {5} maximum

### Environmental characteristics

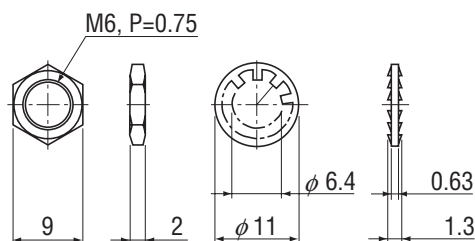
Operating temp. range	°C	-30 ~ 85
Net weight	g	Approx. 3
Protection grade		IP40

## OUTLINE DIMENSIONS

(Unit : mm)



### <Accessories>



### <Wiring diagram>

