

# 74HC123D

## 1. Functional Description

- Dual Monostable Multivibrator

## 2. General

The 74HC123D is a high speed CMOS MONOSTABLE MULTIVIBRATOR fabricated with silicon gate C<sup>2</sup>MOS technology.

It achieves the high speed operation similar to equivalent LSTTL while maintaining the CMOS low power dissipation.

There are two trigger inputs,  $\bar{A}$  input (negative edge), and B input (positive edge). These inputs are valid for a slow rise/fall time signal ( $t_r = t_f = 1$  s) as they are schmitt trigger inputs. This device may also be triggered by using  $\bar{CLR}$  input (positive edge).

After triggering, the output stays in a MONOSTABLE state for a time period determined by the external resistor and capacitor ( $R_X$ ,  $C_X$ ). A low level at the  $\bar{CLR}$  input breaks this state. In the MONOSTABLE state, if a new trigger is applied, it extends the MONOSTABLE period (retrigger mode).

Limits for  $C_X$  and  $R_X$  are:

External capacitor,  $C_X$ : No limit

External resistor,  $R_X$ :  $V_{CC} = 2.0$  V more than 5 k $\Omega$

$V_{CC} \geq 3.0$  V more than 1 k $\Omega$

All inputs are equipped with protection circuits against static discharge or transient excess voltage.

## 3. Features (Note)

(1) Wide operating temperature range:  $T_{opr} = -40$  to 125 °C (Note 1)

(2) High speed:  $t_{pd} = 25$  ns (typ.) at  $V_{CC} = 5$  V

(3) Low power dissipation:

Standby state:  $I_{CC} = 4.0$   $\mu$ A (max) at  $T_a = 25$  °C

Active state:  $I_{CC} = 1000$   $\mu$ A (max) at  $T_a = 25$  °C

(4) Balanced propagation delays:  $t_{PLH} \approx t_{PHL}$

(5) Wide operating voltage range:  $V_{CC(opr)} = 2.0$  to 6.0 V

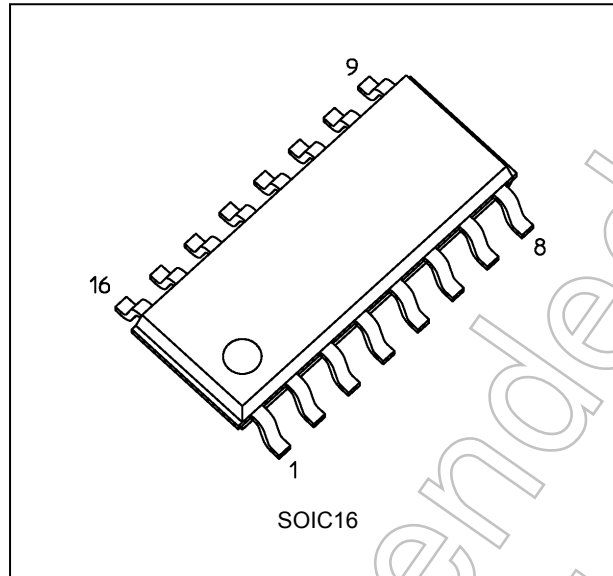
Note: In the case of using only one circuit,  $\bar{CLR}$  should be tied to GND,  $R_X/C_X \cdot C_X \cdot Q \cdot \bar{Q}$  should be tied to OPEN, the other inputs should be tied to  $V_{CC}$  or GND.

Note 1: Operating Range spec of  $T_{opr} = -40$  °C to 125 °C is applicable only for the products which manufactured after July 2020.

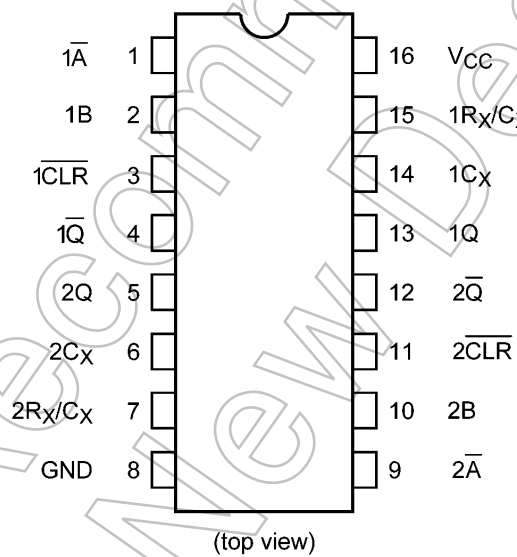
Start of commercial production

2020-07

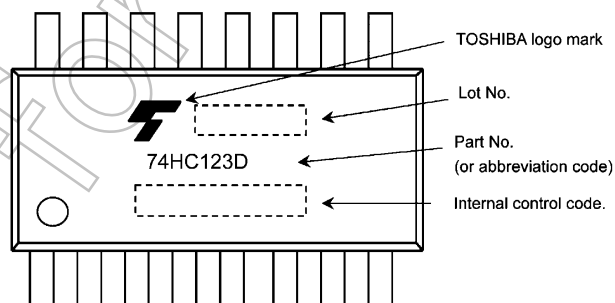
## 4. Packaging



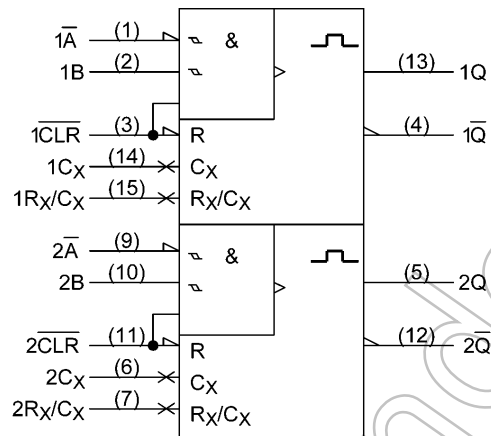
## 5. Pin Assignment



## 6. Marking



## 7. IEC Logic Symbol



## 8. Truth Table

Inputs			Outputs		Function
$\bar{A}$	B	$\bar{CLR}$	Q	$\bar{Q}$	
$\downarrow$	H	H			Output Enable
X	L	H	L	H	Inhibit
H	X	H	L	H	Inhibit
L	$\uparrow$	H			Output Enable
L	H	$\uparrow$			Output Enable
X	X	L	L	H	Reset

X: Don't care

## 9. Block Diagram

- (1)  $C_X$ ,  $R_X$ ,  $D_X$  are external  
Capacitor, resistor, and diode, respectively.
- (2) External clamping diode,  $D_X$ ;

The external capacitor is charged to  $V_{CC}$  level in the wait state, i.e. when no trigger is applied.

If the supply voltage is turned off,  $C_X$  is discharged mainly through the internal (parasitic) diode. If  $C_X$  is sufficiently large and  $V_{CC}$  drops rapidly, there will be some possibility of damaging the IC through inrush current or latch-up. If the capacitance of the supply voltage filter is large enough and  $V_{CC}$  drops slowly, the inrush current is automatically limited and damage to the IC is avoided.

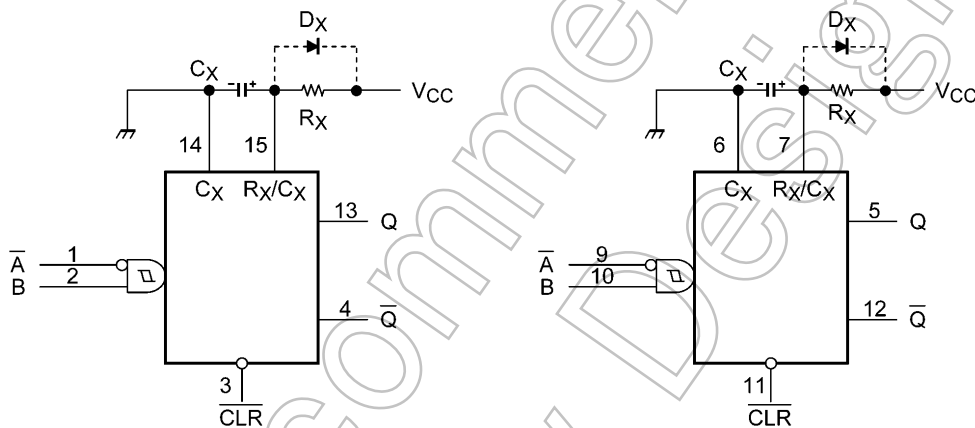
The maximum value of forward current through the parasitic diode is  $\pm 20$  mA.

In the case of a large  $C_X$ , the limit of fall time of the supply voltage is determined as follows:

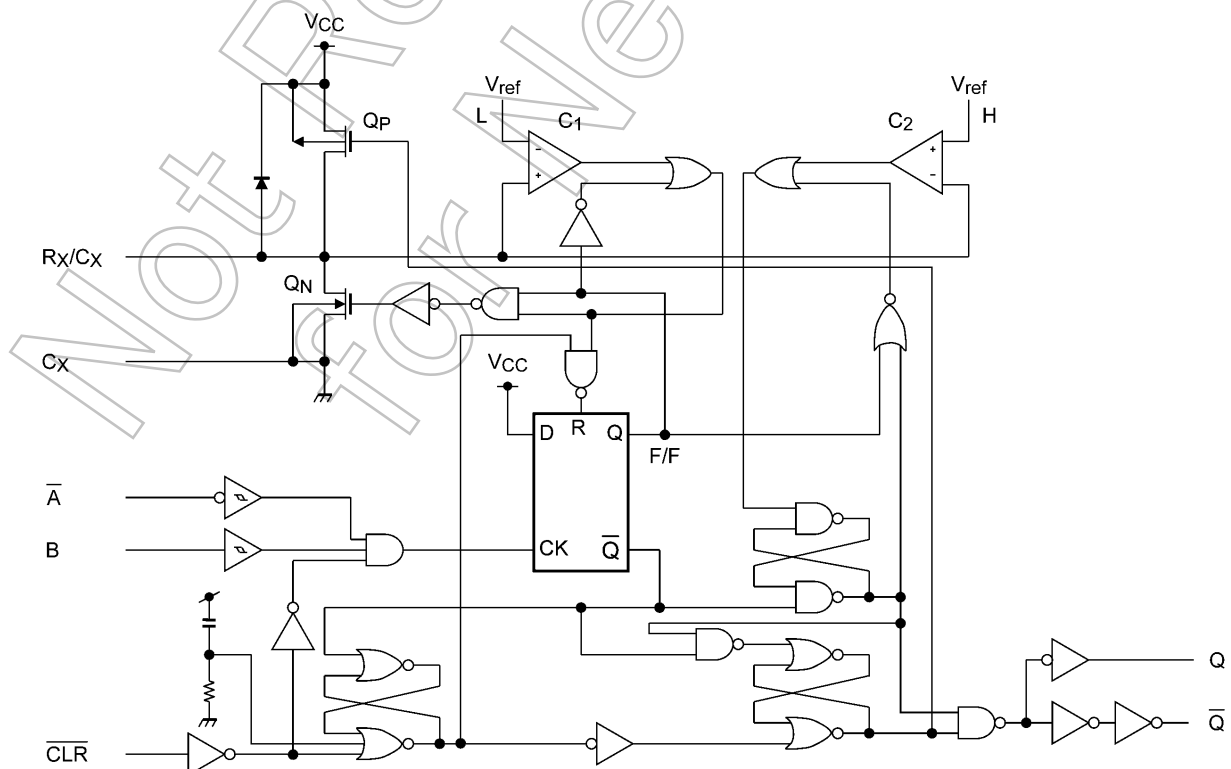
$$t_f \geq (V_{CC} - 0.7) C_X / 20 \text{ mA}$$

( $t_f$  is the time between the supply voltage turn off and the supply voltage reaching  $0.4 V_{CC}$ .)

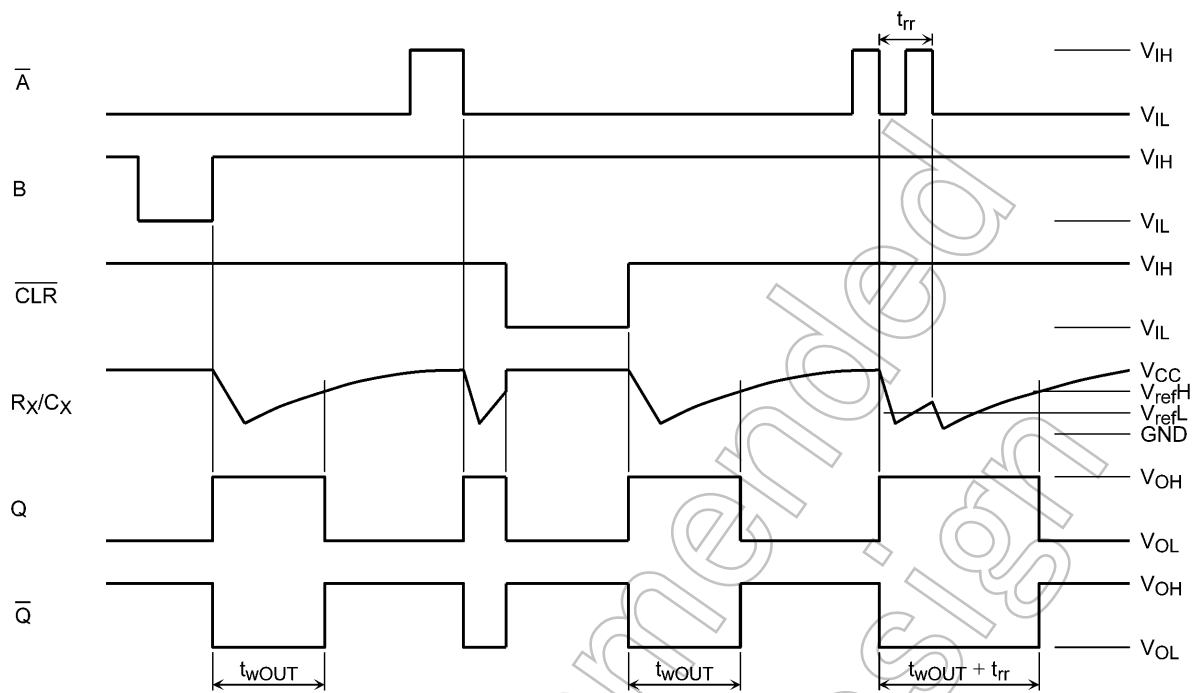
In the even a system does not satisfy the above condition, an external clamping diode ( $D_X$ ) is needed to protect the IC from inrush current.



## 10. System Diagram



## 11. Timing Chart



Not Recommended for New Design

## 12. Functional Description

### (1) Standby state

The external capacitor ( $C_X$ ) is fully charged to  $V_{CC}$  in the stand-by state. That means, before triggering, the  $Q_P$  and  $Q_N$  transistors which are connected to the  $R_X/C_X$  node are in the off state. Two comparators that relate to the timing of the output pulse, and two reference voltage supplies turn off. The total supply current is only leakage current.

### (2) Trigger operation

Trigger operation is effective in any of the following three cases. First, the condition where the  $\bar{A}$  input is low, and the B input has a rising signal; second, where the B input is high, and the  $\bar{A}$  input has a falling signal; and third, where the  $\bar{A}$  input is low and the B input is high, and the  $\overline{CLR}$  input has a rising signal. After a trigger becomes effective, comparators  $C_1$  and  $C_2$  start operating, and  $Q_N$  is turned on. The external capacitor discharges through  $Q_N$ . The voltage level at the  $R_X/C_X$  node drops. If the  $R_X/C_X$  voltage level falls to the internal reference voltage  $V_{refL}$ , the output of  $C_1$  becomes low. The flip-flop is then reset and  $Q_N$  turns off. At that moment  $C_1$  stops but  $C_2$  continues operating.

After  $Q_N$  turns off, the voltage at the  $R_X/C_X$  node starts rising at a rate determined by the time constant of external capacitor  $C_X$  and resistor  $R_X$ .

Upon triggering, output Q becomes high, following some delay time of the internal F/F and gates. It stays high even if the voltage of  $R_X/C_X$  changes from falling to rising. When  $R_X/C_X$  reaches the internal reference voltage  $V_{refH}$ , the output of  $C_2$  becomes low, the output Q goes low and  $C_2$  stops its operation. That means, after triggering, when the voltage level of the  $R_X/C_X$  node reaches  $V_{refH}$ , the IC returns to its MONOSTABLE state.

With large values of  $C_X$  and  $R_X$ , and ignoring the discharge time of the capacitor and internal delays of the IC, the width of the output pulse,  $t_{wOUT}$ , is as follows:

$$t_{wOUT} = 1.0 \times C_X \times R_X$$

### (3) Retrigger operation

When a new trigger is applied to either input  $\bar{A}$  or B while in the MONOSTABLE state, it is effective only if the IC is charging  $C_X$ . The voltage level of the  $R_X/C_X$  node then falls to  $V_{refL}$  level again. Therefore the Q output stays high if the next trigger comes in before the time period set by  $C_X$  and  $R_X$ .

If the new trigger is very close to previous trigger, such as an occurrence during the discharge cycle, it will have no effect.

The minimum time for a trigger to be effective 2 nd trigger,  $t_{tr}$  (min), depends on  $V_{CC}$  and  $C_X$ .

### (4) Reset operation

In normal operation, the  $\overline{CLR}$  input is held high. If  $\overline{CLR}$  is low, a trigger has no effect because the Q output is held low and the trigger control F/F is reset. Also,  $Q_P$  turns on and  $C_X$  is charged rapidly to  $V_{CC}$ . This means if  $\overline{CLR}$  is set low, the IC goes into a wait state.

### 13. Absolute Maximum Ratings (Note)

Characteristics	Symbol	Note	Rating	Unit
Supply voltage	$V_{CC}$		-0.5 to 7.0	V
Input voltage	$V_{IN}$		-0.5 to $V_{CC} + 0.5$	V
Output voltage	$V_{OUT}$		-0.5 to $V_{CC} + 0.5$	V
Input diode current	$I_{IK}$		$\pm 20$	mA
Output diode current	$I_{OK}$		$\pm 20$	mA
Output current	$I_{OUT}$		$\pm 25$	mA
$V_{CC}$ /ground current	$I_{CC}$		$\pm 50$	mA
Power dissipation	$P_D$	(Note 1)	500	mW
Storage temperature	$T_{stg}$		-65 to 150	°C

Note: Exceeding any of the absolute maximum ratings, even briefly, lead to deterioration in IC performance or even destruction.

Using continuously under heavy loads (e.g. the application of high temperature/current/voltage and the significant change in temperature, etc.) may cause this product to decrease in the reliability significantly even if the operating conditions (i.e. operating temperature/current/voltage, etc.) are within the absolute maximum ratings and the operating ranges.

Please design the appropriate reliability upon reviewing the Toshiba Semiconductor Reliability Handbook ("Handling Precautions"/"Derating Concept and Methods") and individual reliability data (i.e. reliability test report and estimated failure rate, etc).

Note 1:  $P_D$  derates linearly with -8 mW/°C above 85 °C

### 14. Operating Ranges (Note)

Characteristics	Symbol	Note	Test Condition	Rating	Unit
Supply voltage	$V_{CC}$		—	2.0 to 6.0	V
Input voltage	$V_{IN}$		—	0 to $V_{CC}$	V
Output voltage	$V_{OUT}$		—	0 to $V_{CC}$	V
Operating temperature	$T_{opr}$	(Note 2)	—	-40 to 125	°C
Input rise and fall times	$t_r, t_f$		$V_{CC} = 2.0\text{ V}$	0 to 1000	ns
			$V_{CC} = 4.5\text{ V}$	0 to 500	
			$V_{CC} = 6.0\text{ V}$	0 to 400	
External capacitor	$C_X$	(Note 1)	—	No limitation	F
External resistor	$R_X$	(Note 1)	$V_{CC} = 2.0\text{ V}$	$\geq 5\text{ k}$	$\Omega$
			$V_{CC} \geq 3.0\text{ V}$	$\geq 1\text{ k}$	

Note: The operating ranges must be maintained to ensure the normal operation of the device.

Unused inputs must be tied to either  $V_{CC}$  or GND.

Note 1: The maximum allowable values of  $C_X$  and  $R_X$  are a function of leakage of capacitor  $C_X$ , the leakage of 74HC123D, and leakage due to board layout and surface resistance.

Susceptibility to externally induced noise signals may occur for  $R_X > 1\text{ M}\Omega$ .

Note 2: Operating Range spec of  $T_{opr} = -40\text{ °C}$  to  $125\text{ °C}$  is applicable only for the products which manufactured after July 2020.

### 15. Electrical Characteristics

#### 15.1. DC Characteristics (Unless otherwise specified, $T_a = 25\text{ }^\circ\text{C}$ )

Characteristics	Symbol	Test Condition	$V_{CC}$ (V)	Min	Typ.	Max	Unit					
High-level input voltage	$V_{IH}$	—	2.0	1.50	—	—	V					
			4.5	3.15	—	—						
			6.0	4.20	—	—						
Low-level input voltage	$V_{IL}$	—	2.0	—	—	0.50	V					
			4.5	—	—	1.35						
			6.0	—	—	1.80						
High-level output voltage	$V_{OH}$	$V_{IN} = V_{IH}$ or $V_{IL}$					V					
								$I_{OH} = -20\text{ }\mu\text{A}$	2.0	1.9	2.0	—
									4.5	4.4	4.5	—
									6.0	5.9	6.0	—
		$I_{OH} = -4\text{ mA}$	4.5	4.18	4.31	—						
		$I_{OH} = -5.2\text{ mA}$	6.0	5.68	5.80	—						
Low-level output voltage	$V_{OL}$	$V_{IN} = V_{IH}$ or $V_{IL}$					V					
								$I_{OL} = 20\text{ }\mu\text{A}$	2.0	—	0.0	0.1
									4.5	—	0.0	0.1
									6.0	—	0.0	0.1
		$I_{OL} = 4\text{ mA}$	4.5	—	0.17	0.26						
		$I_{OL} = 5.2\text{ mA}$	6.0	—	0.18	0.26						
Input leakage current	$I_{IN}$	$V_{IN} = V_{CC}$ or GND	6.0	—	—	$\pm 0.1$	$\mu\text{A}$					
$R_X/C_X$ terminal OFF-state current	$I_{IN}$	$V_{IN} = V_{CC}$ or GND	6.0	—	—	$\pm 0.1$	$\mu\text{A}$					
Quiescent supply current	$I_{CC}$	$V_{IN} = V_{CC}$ or GND	6.0	—	—	4.0	$\mu\text{A}$					
Active-state supply current (per circuit)	$I_{CC(opr)}$	$V_{IN} = V_{CC}$ or GND $R_X/C_X = 0.5 V_{CC}$	2.0	—	45	200	$\mu\text{A}$					
			4.5	—	400	500						
			6.0	—	700	1000						

Not Recommended for New



### 15.2. DC Characteristics (Unless otherwise specified, $T_a = -40$ to $85$ °C)

Characteristics	Symbol	Test Condition	$V_{CC}$ (V)	Min	Max	Unit			
High-level input voltage	$V_{IH}$	—	2.0	1.50	—	V			
			4.5	3.15	—				
			6.0	4.20	—				
Low-level input voltage	$V_{IL}$	—	2.0	—	0.50	V			
			4.5	—	1.35				
			6.0	—	1.80				
High-level output voltage	$V_{OH}$	$V_{IN} = V_{IH}$ or $V_{IL}$	$I_{OH} = -20$ $\mu$ A	2.0	1.9	—	V		
				4.5	4.4	—			
				6.0	5.9	—			
			$I_{OH} = -4$ mA	4.5	4.13	—			
				6.0	$I_{OH} = -5.2$ mA	5.63		—	
						—		—	
Low-level output voltage	$V_{OL}$	$V_{IN} = V_{IH}$ or $V_{IL}$	$I_{OL} = 20$ $\mu$ A	2.0	—	0.1	V		
				4.5	—	0.1			
				6.0	—	0.1			
			4.5	$I_{OL} = 4$ mA	—	0.33			
					6.0	$I_{OL} = 5.2$ mA		—	0.33
								—	—
Input leakage current	$I_{IN}$	$V_{IN} = V_{CC}$ or GND	6.0	—	$\pm 1.0$	$\mu$ A			
$R_X/C_X$ terminal OFF-state current	$I_{IN}$	$V_{IN} = V_{CC}$ or GND	6.0	—	$\pm 1.0$	$\mu$ A			
Quiescent supply current	$I_{CC}$	$V_{IN} = V_{CC}$ or GND	6.0	—	40.0	$\mu$ A			
Active-state supply current (per circuit)	$I_{CC(opr)}$	$V_{IN} = V_{CC}$ or GND $R_X/C_X = 0.5 V_{CC}$	2.0	—	260	$\mu$ A			
			4.5	—	650				
			6.0	—	1300				

Not Recommended for New Design

### 15.3. DC Characteristics (Note) (Unless otherwise specified, $T_a = -40$ to $125$ °C)

Characteristics	Symbol	Test Condition	$V_{CC}$ (V)	Min	Max	Unit		
High-level input voltage	$V_{IH}$	—	2.0	1.50	—	V		
			4.5	3.15	—			
			6.0	4.20	—			
Low-level input voltage	$V_{IL}$	—	2.0	—	0.50	V		
			4.5	—	1.35			
			6.0	—	1.80			
High-level output voltage	$V_{OH}$	$V_{IN} = V_{IH}$ or $V_{IL}$	$I_{OH} = -20$ $\mu$ A	2.0	1.9	—	V	
				4.5	4.4	—		
				6.0	5.9	—		
			$I_{OH} = -4$ mA	4.5	3.7	—		
				6.0	$I_{OH} = -5.2$ mA	5.2		—
					—	—		—
Low-level output voltage	$V_{OL}$	$V_{IN} = V_{IH}$ or $V_{IL}$	$I_{OL} = 20$ $\mu$ A	2.0	—	0.1	V	
				4.5	—	0.1		
				6.0	—	0.1		
			$I_{OL} = 4$ mA	4.5	—	0.4		
				6.0	$I_{OL} = 5.2$ mA	0.4		—
					—	—		—
Input leakage current	$I_{IN}$	$V_{IN} = V_{CC}$ or GND	6.0	—	$\pm 1.0$	$\mu$ A		
$R_X/C_X$ terminal OFF-state current	$I_{IN}$	$V_{IN} = V_{CC}$ or GND	6.0	—	$\pm 1.0$	$\mu$ A		
Quiescent supply current	$I_{CC}$	$V_{IN} = V_{CC}$ or GND	6.0	—	80.0	$\mu$ A		
Active-state supply current (per circuit)	$I_{CC(opr)}$	$V_{IN} = V_{CC}$ or GND $R_X/C_X = 0.5 V_{CC}$	2.0	—	300	$\mu$ A		
			4.5	—	750			
			6.0	—	1500			

Note: Operating Range spec of  $T_{opr} = -40$  °C to  $125$  °C is applicable only for the products which manufactured after July 2020.

### 15.4. Timing Requirements (Unless otherwise specified, $T_a = 25$ °C, Input: $t_r = t_f = 6$ ns)

Characteristics	Symbol	Test Condition	$V_{CC}$ (V)	Typ.	Limit	Unit
Minimum pulse width	$t_{w(L)}, t_{w(H)}$	—	2.0	—	75	ns
			4.5	—	15	
			6.0	—	13	
Minimum pulse width (CLR)	$t_{w(L)}$	—	2.0	—	75	ns
			4.5	—	15	
			6.0	—	13	
Minimum retrigger time	$t_{rr}$	$R_X = 1$ k $\Omega$ , $C_X = 100$ pF	2.0	325	—	ns
			4.5	108	—	
			6.0	78	—	
Minimum retrigger time	$t_{rr}$	$R_X = 1$ k $\Omega$ , $C_X = 0.01$ $\mu$ F	2.0	5.0	—	$\mu$ s
			4.5	1.4	—	
			6.0	1.2	—	

### 15.5. Timing Requirements

(Unless otherwise specified,  $T_a = -40$  to  $85$  °C, Input:  $t_r = t_f = 6$  ns)

Characteristics	Symbol	Test Condition	$V_{CC}$ (V)	Limit	Unit
Minimum pulse width	$t_{w(L)}, t_{w(H)}$	—	2.0	95	ns
			4.5	19	
			6.0	16	
Minimum pulse width (CLR)	$t_{w(L)}$	—	2.0	95	ns
			4.5	19	
			6.0	16	

### 15.6. Timing Requirements (Note)

(Unless otherwise specified,  $T_a = -40$  to  $125$  °C, Input:  $t_r = t_f = 6$  ns)

Characteristics	Symbol	Test Condition	$V_{CC}$ (V)	Limit	Unit
Minimum pulse width	$t_{w(L)}, t_{w(H)}$	—	2.0	110	ns
			4.5	22	
			6.0	18	
Minimum pulse width (CLR)	$t_{w(L)}$	—	2.0	110	ns
			4.5	22	
			6.0	18	

Note: Operating Range spec of  $T_{opr} = -40$  °C to  $125$  °C is applicable only for the products which manufactured after July 2020.

### 15.7. AC Characteristics

(Unless otherwise specified,  $C_L = 15$  pF,  $V_{CC} = 5$  V,  $T_a = 25$  °C, Input:  $t_r = t_f = 6$  ns)

Characteristics	Symbol	Test Condition	Min	Typ.	Max	Unit
Output transition time	$t_{TLH}, t_{THL}$	—	—	4	8	ns
Propagation delay time (A, B - Q, $\bar{Q}$ )	$t_{PLH}, t_{PHL}$	—	—	25	36	
Propagation delay time (CLR Trigger - Q, $\bar{Q}$ )	$t_{PLH}, t_{PHL}$	—	—	26	41	
Propagation delay time (CLR - Q, $\bar{Q}$ )	$t_{PLH}, t_{PHL}$	—	—	16	27	

### 15.8. AC Characteristics

(Unless otherwise specified,  $C_L = 50 \text{ pF}$ ,  $T_a = 25 \text{ }^\circ\text{C}$ , Input:  $t_r = t_f = 6 \text{ ns}$ )

Characteristics	Symbol	Note	Test Condition	$V_{CC}$ (V)	Min	Typ.	Max	Unit		
Output transition time	$t_{TLH}, t_{THL}$		—	2.0	—	30	75	ns		
				4.5	—	8	15			
				6.0	—	7	13			
Propagation delay time (A, B-Q, $\bar{Q}$ )	$t_{PLH}, t_{PHL}$		—	2.0	—	102	210	ns		
				4.5	—	29	42			
				6.0	—	22	36			
Propagation delay time (CLR trigger-Q, $\bar{Q}$ )	$t_{PLH}, t_{PHL}$		—	2.0	—	102	235	ns		
				4.5	—	31	47			
				6.0	—	22	40			
Propagation delay time (CLR-Q, $\bar{Q}$ )	$t_{PLH}, t_{PHL}$		—	2.0	—	68	160	ns		
				4.5	—	20	32			
				6.0	—	16	27			
Output pulse width	$t_{WOUT}$		$C_X = 28 \text{ pF}$ $R_X = 6 \text{ k}\Omega$	2.0	—	700	2000	ns		
				4.5	—	250	400			
				6.0	—	210	340			
				$C_X = 0.01 \text{ }\mu\text{F}$ , $R_X = 10 \text{ k}\Omega$	2.0	90	110		130	$\mu\text{s}$
					4.5	95	105		115	
					6.0	95	105		115	
			$C_X = 0.1 \text{ }\mu\text{F}$ , $R_X = 10 \text{ k}\Omega$	2.0	0.9	1.0	1.2	ms		
				4.5	0.9	1.0	1.1			
				6.0	0.9	1.0	1.1			
			Output pulse width error between circuits (in same package)	$\Delta t_{WOUT}$		—	—	$\pm 1$	—	%
			Input capacitance	$C_{IN}$		—	—	5	—	pF
			Power dissipation capacitance	$C_{PD}$	(Note 1)	—	—	162	—	pF

Note 1:  $C_{PD}$  is defined as the value of the internal equivalent capacitance which is calculated from the operating current consumption without load. Average operating current can be obtained by the equation.

$$I_{CC(opr)} = C_{PD} \times V_{CC} \times f_{IN} + I_{CC'} \times \text{Duty}/100 + I_{CC}/2 \text{ (per circuit),}$$

( $I_{CC'}$ : Active supply current),

(Duty: %)

### 15.9. AC Characteristics

(Unless otherwise specified,  $C_L = 50 \text{ pF}$ ,  $T_a = -40 \text{ to } 85 \text{ }^\circ\text{C}$ , Input:  $t_r = t_f = 6 \text{ ns}$ )

Characteristics	Symbol	Test Condition	$V_{CC}$ (V)	Min	Max	Unit		
Output transition time	$t_{TLH}, t_{THL}$	—	2.0	—	95	ns		
			4.5	—	19			
			6.0	—	16			
Propagation delay time (A, B-Q, $\bar{Q}$ )	$t_{PLH}, t_{PHL}$	—	2.0	—	265	ns		
			4.5	—	53			
			6.0	—	45			
Propagation delay time (CLR trigger-Q, $\bar{Q}$ )	$t_{PLH}, t_{PHL}$	—	2.0	—	295	ns		
			4.5	—	59			
			6.0	—	50			
Propagation delay time (CLR-Q, $\bar{Q}$ )	$t_{PLH}, t_{PHL}$	—	2.0	—	200	ns		
			4.5	—	40			
			6.0	—	34			
Output pulse width	$t_{WOUT}$	$C_X = 28 \text{ pF}, R_X = 6 \text{ k}\Omega$	2.0	—	2500	ns		
			4.5	—	500			
			6.0	—	425			
			$C_X = 0.01 \text{ }\mu\text{F}, R_X = 10 \text{ k}\Omega$	2.0	90		130	$\mu\text{s}$
				4.5	95		115	
				6.0	95		115	
		$C_X = 0.1 \text{ }\mu\text{F}, R_X = 10 \text{ k}\Omega$	2.0	0.9	1.2	ms		
			4.5	0.9	1.1			
			6.0	0.9	1.1			

Not Recommended for New Design

### 15.10. AC Characteristics (Note)

(Unless otherwise specified,  $C_L = 50 \text{ pF}$ ,  $T_a = -40 \text{ to } 125 \text{ }^\circ\text{C}$ , Input:  $t_r = t_f = 6 \text{ ns}$ )

Characteristics	Symbol	Test Condition	$V_{CC}$ (V)	Min	Max	Unit
Output transition time	$t_{TLH}, t_{THL}$	—	2.0	—	110	ns
			4.5	—	22	
			6.0	—	18	
Propagation delay time (A, B-Q, $\bar{Q}$ )	$t_{PLH}, t_{PHL}$	—	2.0	—	305	ns
			4.5	—	61	
			6.0	—	51	
Propagation delay time (CLR trigger-Q, $\bar{Q}$ )	$t_{PLH}, t_{PHL}$	—	2.0	—	335	ns
			4.5	—	67	
			6.0	—	57	
Propagation delay time (CLR-Q, $\bar{Q}$ )	$t_{PLH}, t_{PHL}$	—	2.0	—	230	ns
			4.5	—	46	
			6.0	—	39	
Output pulse width	$t_{WOUT}$	$C_X = 28 \text{ pF}, R_X = 6 \text{ k}\Omega$	2.0	—	2900	ns
			4.5	—	570	
			6.0	—	485	
		$C_X = 0.01 \text{ }\mu\text{F}, R_X = 10 \text{ k}\Omega$	2.0	90	130	$\mu\text{s}$
			4.5	95	115	
			6.0	95	115	
		$C_X = 0.1 \text{ }\mu\text{F}, R_X = 10 \text{ k}\Omega$	2.0	0.9	1.2	ms
			4.5	0.9	1.1	
			6.0	0.9	1.1	

Note: Operating Range spec of  $T_{opr} = -40 \text{ }^\circ\text{C}$  to  $125 \text{ }^\circ\text{C}$  is applicable only for the products which manufactured after July 2020.

Not Recommended for New

## 16. Characteristics Curves (Note)

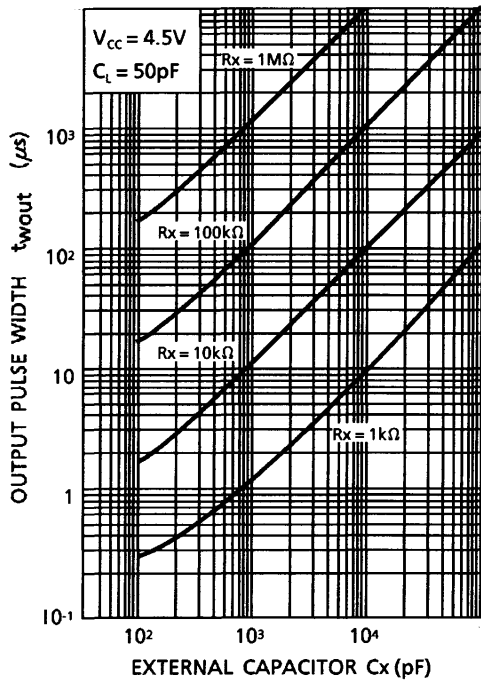


Fig. 16.1  $t_{wout} - C_x$  (typ.)

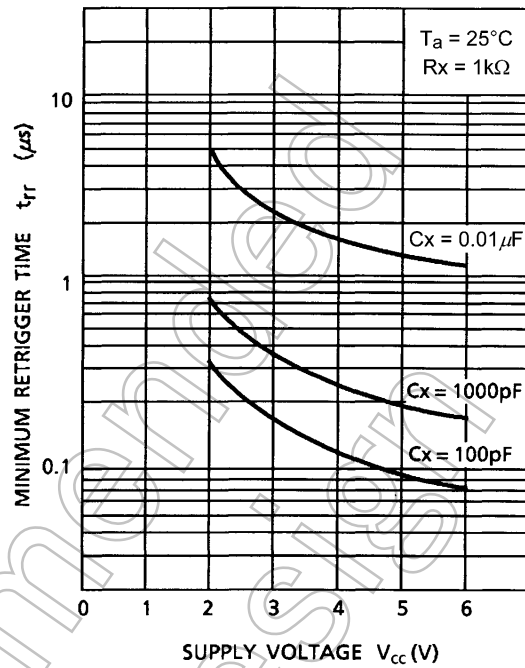


Fig. 16.2  $t_{rr} - V_{CC}$  (typ.)

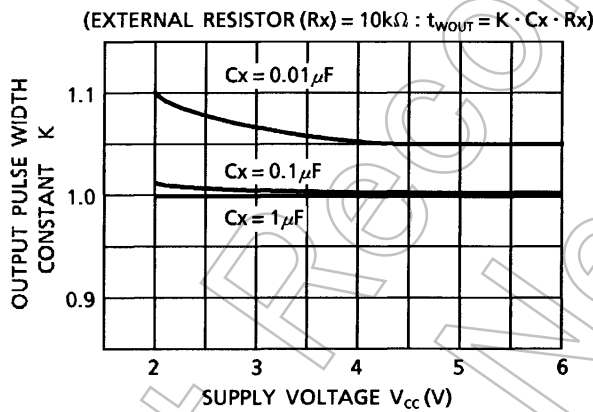
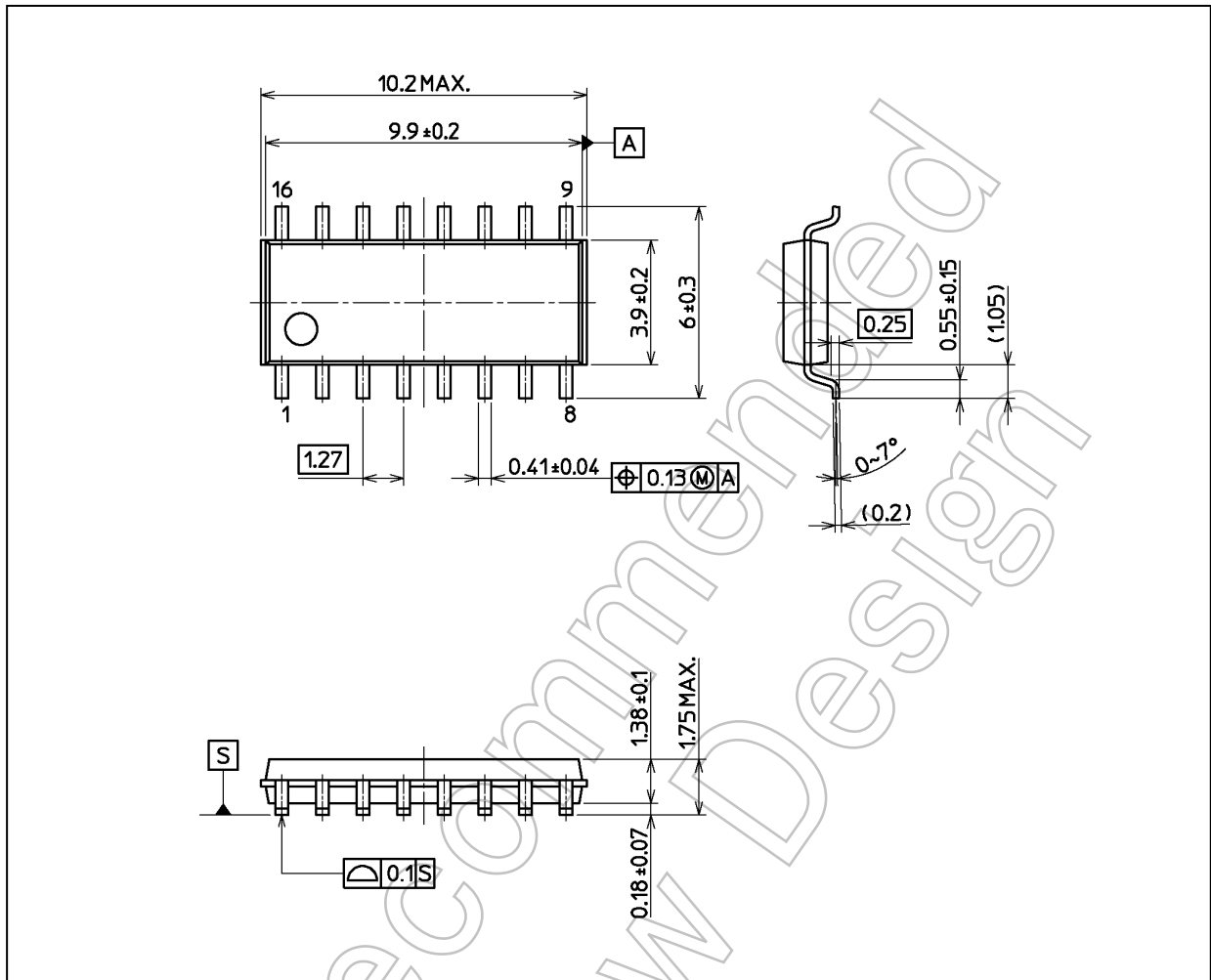


Fig. 16.3 Output Pulse Width Constant K - Supply Voltage (typ.)

Note: The above characteristics curves are presented for reference only and not guaranteed by production test, unless otherwise noted.

## Package Dimensions

Unit: mm



Weight: 0.15 g (typ.)

Package Name(s)
Nickname: SOIC16



## RESTRICTIONS ON PRODUCT USE

Toshiba Corporation and its subsidiaries and affiliates are collectively referred to as "TOSHIBA".

Hardware, software and systems described in this document are collectively referred to as "Product".

- TOSHIBA reserves the right to make changes to the information in this document and related Product without notice.
- This document and any information herein may not be reproduced without prior written permission from TOSHIBA. Even with TOSHIBA's written permission, reproduction is permissible only if reproduction is without alteration/omission.
- Though TOSHIBA works continually to improve Product's quality and reliability, Product can malfunction or fail. Customers are responsible for complying with safety standards and for providing adequate designs and safeguards for their hardware, software and systems which minimize risk and avoid situations in which a malfunction or failure of Product could cause loss of human life, bodily injury or damage to property, including data loss or corruption. Before customers use the Product, create designs including the Product, or incorporate the Product into their own applications, customers must also refer to and comply with (a) the latest versions of all relevant TOSHIBA information, including without limitation, this document, the specifications, the data sheets and application notes for Product and the precautions and conditions set forth in the "TOSHIBA Semiconductor Reliability Handbook" and (b) the instructions for the application with which the Product will be used with or for. Customers are solely responsible for all aspects of their own product design or applications, including but not limited to (a) determining the appropriateness of the use of this Product in such design or applications; (b) evaluating and determining the applicability of any information contained in this document, or in charts, diagrams, programs, algorithms, sample application circuits, or any other referenced documents; and (c) validating all operating parameters for such designs and applications.  
**TOSHIBA ASSUMES NO LIABILITY FOR CUSTOMERS' PRODUCT DESIGN OR APPLICATIONS.**

- **PRODUCT IS NEITHER INTENDED NOR WARRANTED FOR USE IN EQUIPMENTS OR SYSTEMS THAT REQUIRE EXTRAORDINARILY HIGH LEVELS OF QUALITY AND/OR RELIABILITY, AND/OR A MALFUNCTION OR FAILURE OF WHICH MAY CAUSE LOSS OF HUMAN LIFE, BODILY INJURY, SERIOUS PROPERTY DAMAGE AND/OR SERIOUS PUBLIC IMPACT ("UNINTENDED USE").**

Except for specific applications as expressly stated in this document, Unintended Use includes, without limitation, equipment used in nuclear facilities, equipment used in the aerospace industry, lifesaving and/or life supporting medical equipment, equipment used for automobiles, trains, ships and other transportation, traffic signaling equipment, equipment used to control combustions or explosions, safety devices, elevators and escalators, and devices related to power plant.

**IF YOU USE PRODUCT FOR UNINTENDED USE, TOSHIBA ASSUMES NO LIABILITY FOR PRODUCT.**

For details, please contact your TOSHIBA sales representative or contact us via our website.

- Do not disassemble, analyze, reverse-engineer, alter, modify, translate or copy Product, whether in whole or in part.
- Product shall not be used for or incorporated into any products or systems whose manufacture, use, or sale is prohibited under any applicable laws or regulations.
- The information contained herein is presented only as guidance for Product use. No responsibility is assumed by TOSHIBA for any infringement of patents or any other intellectual property rights of third parties that may result from the use of Product. No license to any intellectual property right is granted by this document, whether express or implied, by estoppel or otherwise.
- **ABSENT A WRITTEN SIGNED AGREEMENT, EXCEPT AS PROVIDED IN THE RELEVANT TERMS AND CONDITIONS OF SALE FOR PRODUCT, AND TO THE MAXIMUM EXTENT ALLOWABLE BY LAW, TOSHIBA (1) ASSUMES NO LIABILITY WHATSOEVER, INCLUDING WITHOUT LIMITATION, INDIRECT, CONSEQUENTIAL, SPECIAL, OR INCIDENTAL DAMAGES OR LOSS, INCLUDING WITHOUT LIMITATION, LOSS OF PROFITS, LOSS OF OPPORTUNITIES, BUSINESS INTERRUPTION AND LOSS OF DATA, AND (2) DISCLAIMS ANY AND ALL EXPRESS OR IMPLIED WARRANTIES AND CONDITIONS RELATED TO SALE, USE OF PRODUCT, OR INFORMATION, INCLUDING WARRANTIES OR CONDITIONS OF MERCHANTABILITY, FITNESS FOR A PARTICULAR PURPOSE, ACCURACY OF INFORMATION, OR NONINFRINGEMENT.**
- Do not use or otherwise make available Product or related software or technology for any military purposes, including without limitation, for the design, development, use, stockpiling or manufacturing of nuclear, chemical, or biological weapons or missile technology products (mass destruction weapons). Product and related software and technology may be controlled under the applicable export laws and regulations including, without limitation, the Japanese Foreign Exchange and Foreign Trade Law and the U.S. Export Administration Regulations. Export and re-export of Product or related software or technology are strictly prohibited except in compliance with all applicable export laws and regulations.
- Please contact your TOSHIBA sales representative for details as to environmental matters such as the RoHS compatibility of Product. Please use Product in compliance with all applicable laws and regulations that regulate the inclusion or use of controlled substances, including without limitation, the EU RoHS Directive. **TOSHIBA ASSUMES NO LIABILITY FOR DAMAGES OR LOSSES OCCURRING AS A RESULT OF NONCOMPLIANCE WITH APPLICABLE LAWS AND REGULATIONS.**