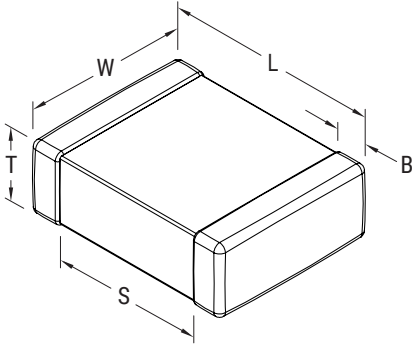


## Sample Kit Contents

KEMET Part Number	Case Size	Capacitance	Cap Tolerance	Rated Voltage	T Thickness	Dielectric	Quantity
	EIA/Metric		%	VDC	mm		
C0603C100J5GACTU	0603/1608	10 pF	±5	50	0.80 ±0.07	COG	50
C0603C100J1GACTU	0603/1608	10 pF	±5	100	0.80 ±0.07	COG	50
C0603C220J5GACTU	0603/1608	22 pF	±5	50	0.80 ±0.07	COG	50
C0603C121J5GACTU	0603/1608	120 pF	±5	50	0.80 ±0.07	COG	50
C0603C181J5GACTU	0603/1608	180 pF	±5	50	0.80 ±0.07	COG	50
C0603C271J5GACTU	0603/1608	270 pF	±5	50	0.80 ±0.07	COG	50
C0603C102J3GACTU	0603/1608	1000 pF	±5	25	0.80 ±0.07	COG	50
C0603C102J5GACTU	0603/1608	1000 pF	±5	50	0.80 ±0.07	COG	50
C0603C103G8GACTU	0603/1608	10000 pF	±2	10	0.80 ±0.07	COG	50
C0603C103J3GACTU	0603/1608	10000 pF	±5	25	0.80 ±0.07	COG	50
C0603C181K5RACTU	0603/1608	180 pF	±10	50	0.80 ±0.07	X7R	50
C0603C102K5RACTU	0603/1608	1000 pF	±10	50	0.80 ±0.07	X7R	50
C0603C102K1RACTU	0603/1608	1000 pF	±10	100	0.80 ±0.07	X7R	50
C0603C103K5RACTU	0603/1608	10000 pF	±10	50	0.80 ±0.07	X7R	50
C0603C683K4RACTU	0603/1608	68000 pF	±10	16	0.80 ±0.07	X7R	50
C0603C104K3RACTU	0603/1608	0.10 µF	±10	25	0.80 ±0.07	X7R	50
C0603C104K5RACTU	0603/1608	0.10 µF	±10	50	0.80 ±0.07	X7R	50
C0603C224K4RACTU	0603/1608	0.22 µF	±10	16	0.80 ±0.07	X7R	50
C0603C474K4RACTU	0603/1608	0.47 µF	±10	16	0.80 ±0.07	X7R	50
C0603C105K4RACTU	0603/1608	1.0 µF	±10	16	0.80 ±0.10	X7R	50
C0603C104K3PACTU	0603/1608	0.10 µF	±10	25	0.80 ±0.10	X5R	50
C0603C474K8PACTU	0603/1608	0.47 µF	±10	10	0.80 ±0.10	X5R	50
C0603C474K4PACTU	0603/1608	0.47 µF	±10	16	0.80 ±0.10	X5R	50
C0603C105K9PACTU	0603/1608	1.0 µF	±10	6.3	0.80 ±0.10	X5R	50
C0603C105K4PACTU	0603/1608	1.0 µF	±10	16	0.80 ±0.10	X5R	50
C0603C225K9PACTU	0603/1608	2.2 µF	±10	6.3	0.80 ±0.10	X5R	50
C0603C225M8PACTU	0603/1608	2.2 µF	±20	10	0.80 ±0.10	X5R	50
C0603C225K4PACTU	0603/1608	2.2 µF	±10	16	0.80 ±0.10	X5R	50
C0603C335M9PACTU	0603/1608	3.3 µF	±20	6.3	0.80 ±0.10	X5R	50
C0603C106M9PACTU	0603/1608	10 µF	±20	6.3	0.80 ±0.10	X5R	50

## Dimensions – Millimeters (Inches)



Case Size (in.)	Case Size (mm)	L Length	W Width	T Thickness	B Bandwidth	S Separation Minimum	Mounting Technique
0603	1608	1.60 (0.063) ±0.15 (0.006)	0.80 (0.032) ±0.15 (0.006)	See Table Above	0.35 (0.014) ±0.15 (0.006)	0.70 (0.028)	Solder Wave or Solder Reflow

## KEMET Electronics Corporation Sales Offices

For a complete list of our global sales offices, please visit [www.kemet.com/sales](http://www.kemet.com/sales).

---

### Disclaimer

YAGEO Corporation and its affiliates do not recommend the use of commercial or automotive grade products for high reliability applications or manned space flight.

All product specifications, statements, information and data (collectively, the "Information") in this datasheet are subject to change. The customer is responsible for checking and verifying the extent to which the Information contained in this publication is applicable to an order at the time the order is placed. All Information given herein is believed to be accurate and reliable, but it is presented without guarantee, warranty, or responsibility of any kind, expressed or implied.

Statements of suitability for certain applications are based on KEMET Electronics Corporation's ("KEMET") knowledge of typical operating conditions for such applications, but are not intended to constitute – and KEMET specifically disclaims – any warranty concerning suitability for a specific customer application or use. The Information is intended for use only by customers who have the requisite experience and capability to determine the correct products for their application. Any technical advice inferred from this Information or otherwise provided by KEMET with reference to the use of KEMET's products is given gratis, and KEMET assumes no obligation or liability for the advice given or results obtained.

Although KEMET designs and manufactures its products to the most stringent quality and safety standards, given the current state of the art, isolated component failures may still occur. Accordingly, customer applications which require a high degree of reliability or safety should employ suitable designs or other safeguards (such as installation of protective circuitry or redundancies) in order to ensure that the failure of an electrical component does not result in a risk of personal injury or property damage.

Although all product-related warnings, cautions and notes must be observed, the customer should not assume that all safety measures are indicated or that other measures may not be required.

*KEMET is a registered trademark of KEMET Electronics Corporation.*