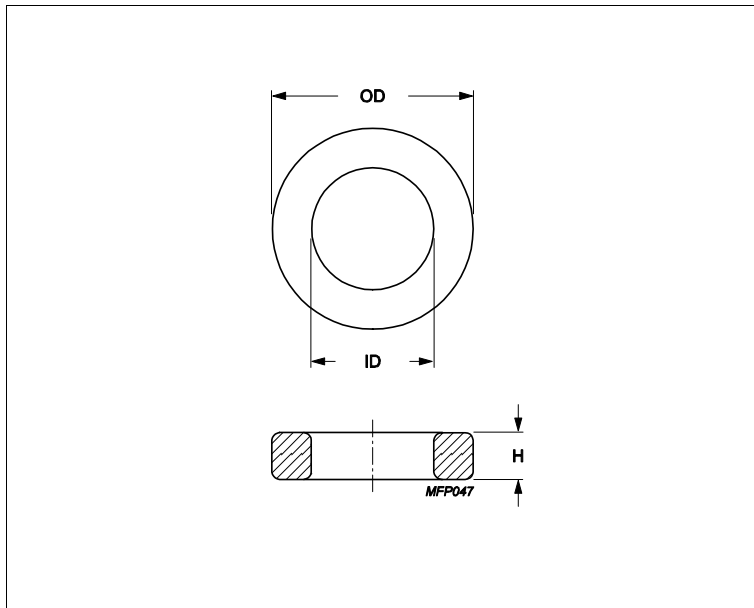


Core **Toroid 22/14/6.4**



Effective parameters			
	Parameter	Value	Unit
$\Sigma(I/A)$	core factor (C1)	2.2	mm ⁻¹
Ve	effective volume	1340	mm ³
Le	effective length	54.2	mm
Ae	effective area	24.8	mm ²
m	mass of core	≈ 6.5	g/pcs

Epoxy coating DC isolation voltage 2000.

Maximum operating temperature of the coating is 200°C.

Dimensions (mm)

Cores	OD	ID	H	
TX22/14/6.4	23.05 max	12.87 min	7.15 max	Epoxy Coated

Core data

Cores	Material	Al (nH/turns ²)	Al tolerance	$\mu\epsilon$
TX22/14/6.4	3C94	1330	± 25%	≈ 2300
TX22/14/6.4	3E10	5790	± 20%	≈ 10000
TX22/14/6.4	3E12	6950	± 30%	≈ 12000
TX22/14/6.4	3E26 (3E27-M7)	4050	± 25%	≈ 7000
TX22/14/6.4	3E27	3180	± 25%	≈ 5500
TX22/14/6.4	3E6 (3E10-M)	5790	± 30%	≈ 10000
TX22/14/6.4	3E65	3010	± 25%	≈ 5200