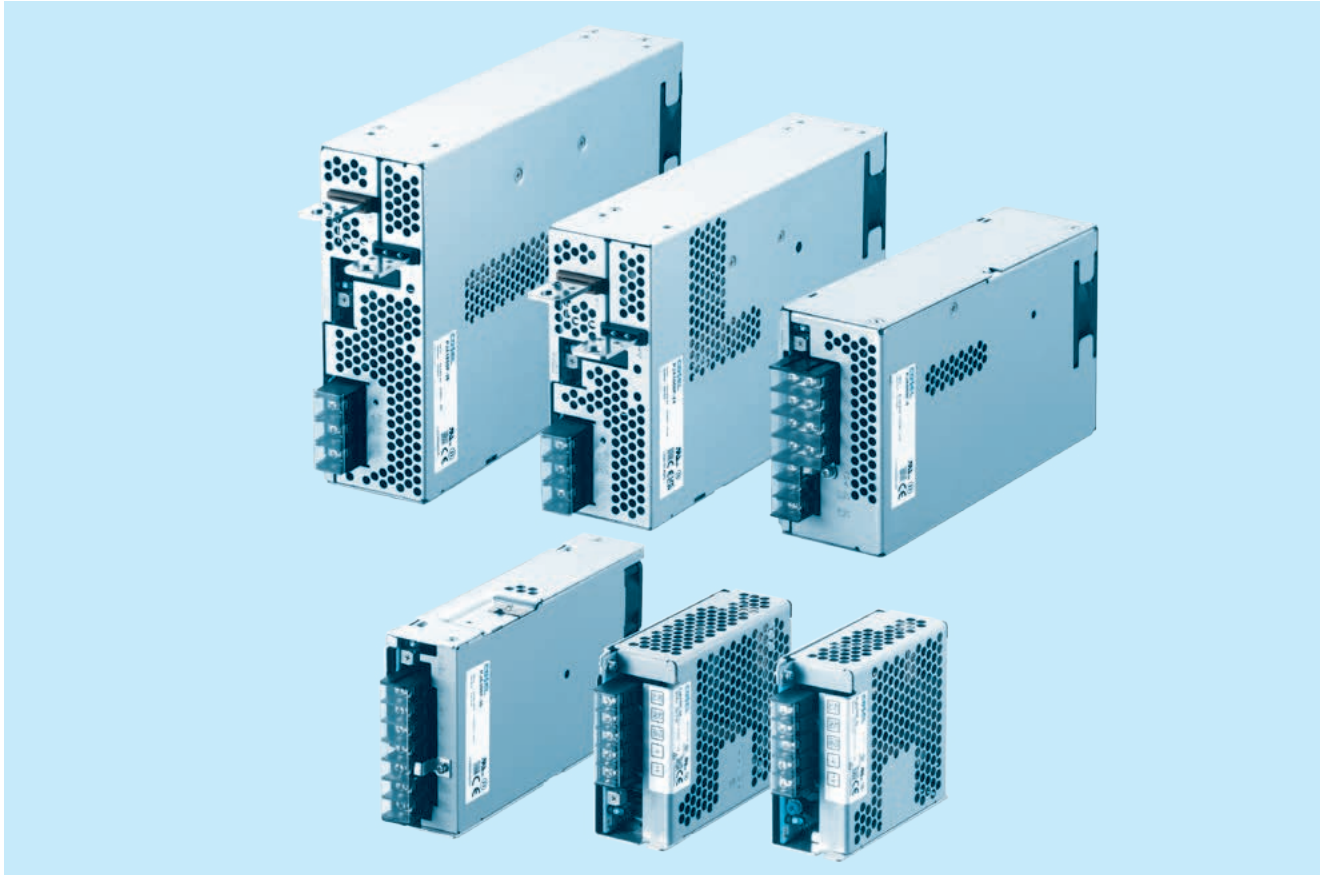




PJA-series



■ Feature

Low Profile (PJA100F, 150F, 300F : 1U size)
(PJA600F, 1000F, 1500F : 2U size)
Wide temperature range (-20°C to +70°C, Derating is required)
Harmonic attenuator (Complies with IEC61000-3-2 class A)
Universal input (AC85 - 264V, Derating is required)
Low power consumption at no load
Complies with SEMI F-47 (PJA1000F, 1500F can meet at 200V input range only)
Many optional functions

■ Safety agency approvals

UL62368-1, C-UL (CSA62368-1), EN62368-1
UL508 (PJA100F, 150F)
Complies with DEN-AN

■ 5-year warranty (See Instruction Manual)

■ CE marking

Low Voltage Directive
RoHS Directive

■ UKCA marking

Electrical Equipment Safety Regulations
RoHS Regulations

■ EMI

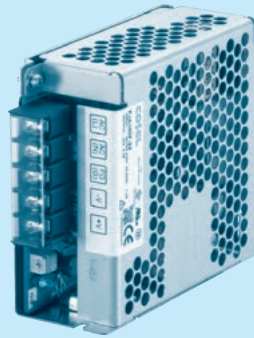
Complies with FCC-B, CISPR22-B, EN55011-B, EN55022-B, VCCI-B
(PJA1500F: Class A. In conducted noise, it can meet class B by additional EMI/EMC filter.)

■ EMS Compliance : EN61204-3, EN61000-6-2

EN61000-4-2
EN61000-4-3
EN61000-4-4
EN61000-4-5
EN61000-4-6
EN61000-4-8
EN61000-4-11

PJA100F

PJ A 100 F -□ -□
 ① ② ③ ④ ⑤ ⑥



Example recommended EMI/EMC filter
NAC-04-472



High voltage pulse noise type : NAP series
 Low leakage current type : NAM series
 * A higher current rating EMI/EMC filter may be recommended in view of the other devices that could be connected in parallel with the power supply.

- ① Series name
- ② Single output
- ③ Output wattage
- ④ Universal input
- ⑤ Output voltage
- ⑥ Optional *6
- C : with Coating
- R : Remote on/off (Required external power source)
- J : EP (Tyco Electronics) connector type
- J1 : VH (J.S.T.) connector type
- T : Vertical terminal block
- N2 : with DIN rail

See 6.1 in Instruction Manual.

*Make sure necessary tests will be carried out on your end equipment with the power supply installed in accordance with any required EMC/EMI regulations.

SPECIFICATIONS

* Please consider "PBA100F-5-N" about 5V output with case cover.

MODEL		PJA100F-12	PJA100F-15	PJA100F-24	PJA100F-36	PJA100F-48
VOLTAGE[V]		AC85 - 264 1 φ (Output derating is required at AC85V - 115V. Refer to "Derating" and instruction manual 1.1, 3)				
CURRENT[A]	ACIN 100V	1.2typ (Io=90%)				
	ACIN 115V	1.1typ (Io=100%)				
	ACIN 230V	0.6typ (Io=100%)				
FREQUENCY[Hz]		50 / 60 (47 - 63)				
EFFICIENCY[%]	ACIN 100V	82typ (Io=90%)	83typ (Io=90%)	85typ (Io=90%)	86typ (Io=90%)	86typ (Io=90%)
	ACIN 115V	82typ (Io=100%)	83typ (Io=100%)	85typ (Io=100%)	86typ (Io=100%)	86typ (Io=100%)
	ACIN 230V	85typ (Io=100%)	86typ (Io=100%)	88typ (Io=100%)	89typ (Io=100%)	89typ (Io=100%)
POWER FACTOR	ACIN 100V	0.98typ (Io=90%)				
	ACIN 115V	0.98typ (Io=100%)				
	ACIN 230V	0.90typ (Io=100%) * Power factor correction is stopped at AC250V or more.				
INRUSH CURRENT[A]	ACIN 100V	16typ (Io=90%) Ta=25°C at cold start				
	ACIN 115V	16typ (Io=100%) Ta=25°C at cold start				
	ACIN 230V	32typ (Io=100%) Ta=25°C at cold start				
LEAKAGE CURRENT[ma]		0.75max (ACIN 240V, 60Hz, Io=100%. According to IEC62368-1 and DEN-AN)				
VOLTAGE[V]		12	15	24	36	48
CURRENT[A]	ACIN 85-115V	Output derating is required at ACIN 115V or less (Refer to "Derating")				
	ACIN 115V-264V	8.4	6.7	4.3	2.8	2.1
WATTAGE[W]		Output derating is required at ACIN 115V or less (Refer to "Derating")				
ACIN 85-115V		100.8	100.5	103.2	100.8	100.8
ACIN 115V-264V		48max	60max	96max	144max	192max
LINE REGULATION[mV]		*3 48max	60max	96max	144max	192max
LOAD REGULATION [mV]	Io=30 to 100%	100max	120max	150max	150max	300max
	Io=0 to 30%	Burst operation (Please contact us about detail)				
RIPPLE[mVp-p]	0 to +40°C	120max	120max	120max	150max	150max
	-10 to 0°C	160max	160max	160max	200max	400max
	Io: load factor	500max	500max	500max	500max	500max
RIPPLE NOISE[mVp-p]	0 to +40°C	150max	150max	150max	200max	200max
	-10 to 0°C	180max	180max	180max	240max	500max
	Io: load factor	600max	600max	600max	600max	600max
TEMPERATURE REGULATION[mV]	0 to +40°C	120max	150max	240max	360max	480max
	-10 to +40°C	180max	180max	290max	440max	600max
DRIFT[mV]		*2 48max	60max	96max	144max	192max
START-UP TIME[ms]		500typ (ACIN 115V, Io=100%) Ta=25°C				
HOLD-UP TIME[ms]		20typ (ACIN 115V, Io=100%)				
OUTPUT VOLTAGE ADJUSTMENT RANGE[V]		10.80 to 13.20	13.50 to 16.50	21.60 to 26.40	32.40 to 39.60	43.20 to 52.80
OUTPUT VOLTAGE SETTING[V]		12.00 to 12.48	15.00 to 15.60	24.00 to 24.96	36.00 to 37.44	48.00 to 49.92
OVERCURRENT PROTECTION		Works over 105% of rating and recovers automatically				
OVERVOLTAGE PROTECTION[V]		13.80 to 16.80	17.25 to 21.00	27.60 to 33.60	41.40 to 50.40	54.00 to 67.20
OPERATING INDICATION		LED (Green)				
REMOTE SENSING		Not provided				
REMOTE ON/OFF		Optional (Required external power source. Option -R)				
ISOLATION	INPUT-OUTPUT • RC	*8 AC3,000V 1minute, Cutoff current = 10mA, DC500V 50MΩ min (At room temperature)				
	INPUT-FG	AC2,000V 1minute, Cutoff current = 10mA, DC500V 50MΩ min (At room temperature)				
	OUTPUT • RC-FG	*8 AC500V 1minute, Cutoff current = 100mA, DC500V 50MΩ min (At room temperature)				
	OUTPUT-RC	*8 AC500V 1minute, Cutoff current = 100mA, DC500V 50MΩ min (At room temperature)				
ENVIRONMENT	OPERATING TEMP.,HUMID.AND ALTITUDE *4	-20 to +70°C (Refer to "Derating"), 20 - 90%RH (Non condensing), 3,000m (10,000 feet) max				
	STORAGE TEMP.,HUMID.AND ALTITUDE	-20 to +75°C, 20 - 90%RH (Non condensing), 9,000m (30,000 feet) max				
	VIBRATION	10 - 55Hz, 19.6m/s ² (2G), 3minutes period, 60minutes each along X, Y and Z axes				
IMPACT		196.1m/s ² (20G), 11ms, once each X, Y and Z axes				
SAFETY AND NOISE REGULATIONS	AGENCY APPROVALS	UL62368-1, C-UL (CSA62368-1), EN62368-1, UL508 (Except option -J, -J1) Complies with DEN-AN				
	CONDUCTED NOISE	Complies with FCC-B, VCCI-B, CISPR22-B, EN55011-B, EN55022-B				
	HARMONIC ATTENUATOR	*7 Complies with IEC61000-3-2 class A				

SPECIFICATIONS

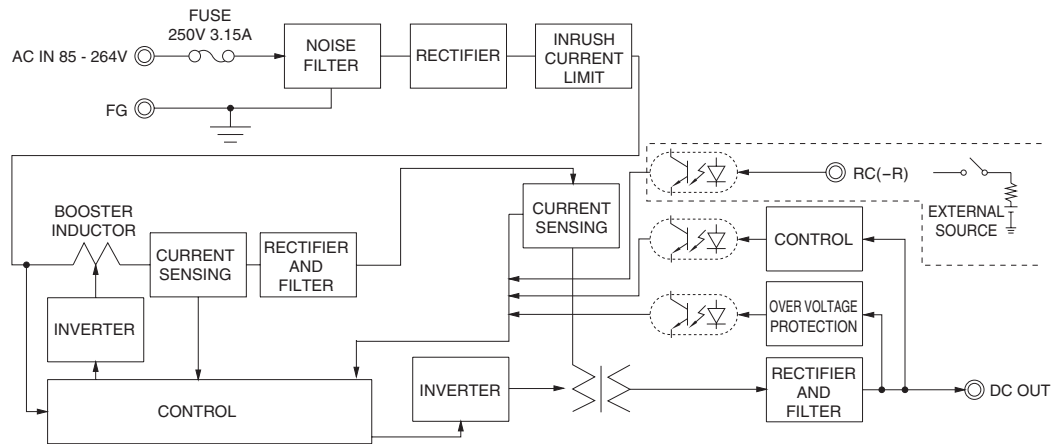
OTHERS	CASE SIZE/WEIGHT	41 X 97 X 109mm [1.61 X 3.82 X 4.29 inches] (Excluding terminal block and screw) (W X H X D) / 500g max
	COOLING METHOD	Convection
WARRANTY	WARRANTY	*5 5 years (subject to the operating conditions)

- *1 This is the result of measurement of the testing board with capacitors of 22 μ F and 0.1 μ F placed at 150 mm from the output terminals by a 20 MHz oscilloscope or a ripple-noise meter equivalent to Keisoku-Giken RM103. See 1.6 of Instruction Manual for more details. When the load factor is 0 - 30%, the switching power loss is reduced by burst operation, which will cause ripple and ripple noise to go beyond the specifications.
- *2 Drift is the change in DC output for an eight hour period after a half-hour warm-up at 25°C.
- *3 Consult us about dynamic load and input response. Measure the output voltage by using the average mode of the tester to deal with the burst operation at 30% load or less.
- *4 Output power derating is required. Refer to "Derating".
- *5 See 4 in Instruction Manual for more details.
- *6 Consult us about safety agency approvals for the models with optional functions.
- *7 Consult us about other classes.
- *8 The RC terminal is added to option -R models. The RC terminal is isolated from input, output, and FG.
- * Do not use the power supply in overcurrent conditions or in unspecified input voltage ranges. Otherwise the internal components may be damaged.
- * Parallel operation is not possible with this mode.
- * Sound noise may be heard from the power supply when used for pulse load.

Features

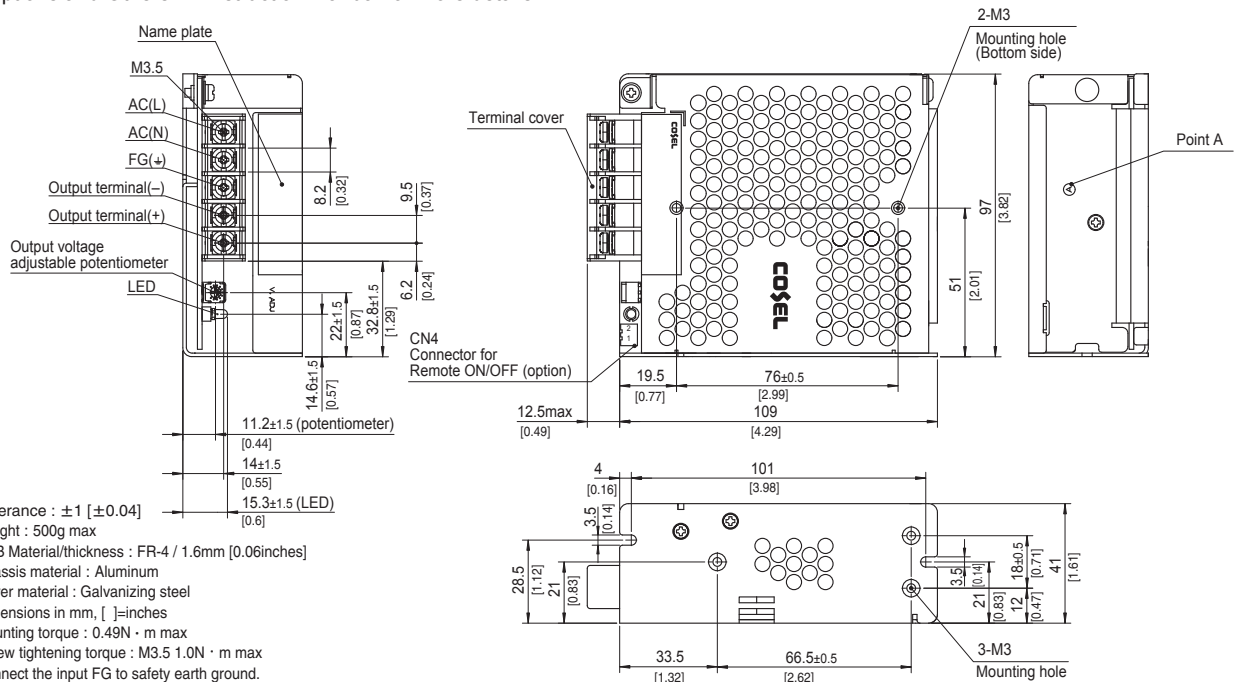
- Compact design (Depth: 109mm 4.29inches)
- High efficiency (88%typ PJA100F-24, AC230Vin, 100% load)
- Low power consumption (1.5W typ AC240Vin, no load at standard model)
- UL508 approved (Except option -J, -J1), and complies with SEMI F47 (see instruction manual 1.1)
- Various connection interface options (vertical terminal [-T], AMP connector [-J], [-J1])

Block diagram



External view

The external size of -R option, -J option, -J1 option, -N2 option and -T option models is different from the standard model. See "6. Options and Others" in Instruction Manual for more details.



- * Tolerance : ± 1 [± 0.04]
- * Weight : 500g max
- * PCB Material/thickness : FR-4 / 1.6mm [0.06inches]
- * Chassis material : Aluminum
- * Cover material : Galvanizing steel
- * Dimensions in mm, []=inches
- * Mounting torque : 0.49N · m max
- * Screw tightening torque : M3.5 1.0N · m max
- * Connect the input FG to safety earth ground.

PJA150F

PJ A 150 F -□ -□
 ① ② ③ ④ ⑤ ⑥



Example recommended EMI/EMC filter
NAC-04-472



High voltage pulse noise type : NAP series
 Low leakage current type : NAM series
 * A higher current rating EMI/EMC filter may be recommended in view of the other devices that could be connected in parallel with the power supply.

- ① Series name
- ② Single output
- ③ Output wattage
- ④ Universal input
- ⑤ Output voltage
- ⑥ Optional *6
- C : with Coating
- R : Remote on/off (Required external power source)
- J : EP (Tyco Electronics) connector type
- J1 : VH (J.S.T.) connector type
- T : Vertical terminal block
- N2 : with DIN rail

See 6.1 in Instruction Manual.

* Make sure necessary tests will be carried out on your end equipment with the power supply installed in accordance with any required EMC/EMI regulations.

SPECIFICATIONS

* Please consider "PBA150F-5-N" about 5V output with case cover.

MODEL		PJA150F-12	PJA150F-15	PJA150F-24	PJA150F-36	PJA150F-48
VOLTAGE[V]		AC85 - 264 1 φ (Output derating is required at AC85V - 115V. Refer to "Derating" and instruction manual 1.1, 3)				
CURRENT[A]	ACIN 100V	1.7typ (Io=90%)				
	ACIN 115V	1.6typ (Io=100%)				
	ACIN 230V	0.8typ (Io=100%)				
FREQUENCY[Hz]		50 / 60 (47 - 63)				
EFFICIENCY[%]	ACIN 100V	84typ (Io=90%)	84typ (Io=90%)	87typ (Io=90%)	87typ (Io=90%)	87typ (Io=90%)
	ACIN 115V	84typ (Io=100%)	84typ (Io=100%)	87typ (Io=100%)	87typ (Io=100%)	87typ (Io=100%)
	ACIN 230V	87typ (Io=100%)	87typ (Io=100%)	90typ (Io=100%)	90typ (Io=100%)	90typ (Io=100%)
POWER FACTOR	ACIN 100V	0.98typ (Io=90%)				
	ACIN 115V	0.98typ (Io=100%)				
	ACIN 230V	0.93typ (Io=100%) * Power factor correction is stopped at AC250V or more.				
INRUSH CURRENT[A]	ACIN 100V	16typ (Io=90%) Ta=25°C at cold start				
	ACIN 115V	16typ (Io=100%) Ta=25°C at cold start				
	ACIN 230V	32typ (Io=100%) Ta=25°C at cold start				
LEAKAGE CURRENT[ma]		0.75max (ACIN 240V, 60Hz, Io=100%. According to IEC62368-1 and DEN-AN)				
VOLTAGE[V]		12	15	24	36	48
CURRENT[A]	ACIN 85-115V	Output derating is required at ACIN 115V or less (Refer to "Derating")				
	ACIN 115V-264V	12.5	10	6.4	4.2	3.2
WATTAGE[W]	ACIN 85-115V	Output derating is required at ACIN 115V or less (Refer to "Derating")				
	ACIN 115V-264V	150.0	150.0	153.6	151.2	153.6
LINE REGULATION[mV] *3		48max	60max	96max	144max	192max
LOAD REGULATION [mV] *3	Io=30 to 100%	100max	120max	150max	150max	300max
	Io=0 to 30%	Burst operation (Please contact us about detail)				
RIPPLE[mVp-p]	0 to +40°C	120max	120max	120max	150max	150max
	-10 to 0°C	160max	160max	160max	200max	400max
Io: load factor	Io=0 to 30%	500max	500max	500max	500max	500max
	0 to +40°C	150max	150max	150max	200max	200max
Io: load factor	-10 to 0°C	180max	180max	180max	240max	500max
	Io=0 to 30%	600max	600max	600max	600max	600max
TEMPERATURE REGULATION[mV]	0 to +40°C	120max	150max	240max	360max	480max
	-10 to +40°C	180max	180max	290max	440max	600max
DRIFT[mV] *2		48max	60max	96max	144max	192max
START-UP TIME[ms]		500typ (ACIN 115V, Io=100%) Ta=25°C				
HOLD-UP TIME[ms]		20typ (ACIN 115V, Io=100%)				
OUTPUT VOLTAGE ADJUSTMENT RANGE[V]		10.80 to 13.20	13.50 to 16.50	21.60 to 26.40	32.40 to 39.60	43.20 to 52.80
OUTPUT VOLTAGE SETTING[V]		12.00 to 12.48	15.00 to 15.60	24.00 to 24.96	36.00 to 37.44	48.00 to 49.92
OVERCURRENT PROTECTION		Works over 105% of rating and recovers automatically				
OVERVOLTAGE PROTECTION[V]		13.80 to 16.80	17.25 to 21.00	27.60 to 33.60	41.40 to 50.40	54.00 to 67.20
OPERATING INDICATION		LED (Green)				
REMOTE SENSING		Not provided				
REMOTE ON/OFF		Optional (Required external power source. Option -R)				
ISOLATION	INPUT-OUTPUT • RC *8	AC3,000V 1minute, Cutoff current = 10mA, DC500V 50MΩ min (At room temperature)				
	INPUT-FG	AC2,000V 1minute, Cutoff current = 10mA, DC500V 50MΩ min (At room temperature)				
	OUTPUT • RC-FG *8	AC500V 1minute, Cutoff current = 100mA, DC500V 50MΩ min (At room temperature)				
	OUTPUT-RC *8	AC500V 1minute, Cutoff current = 100mA, DC500V 50MΩ min (At room temperature)				
ENVIRONMENT	OPERATING TEMP., HUMID. AND ALTITUDE *4	-20 to +70°C (Refer to "Derating"), 20 - 90%RH (Non condensing), 3,000m (10,000 feet) max				
	STORAGE TEMP., HUMID. AND ALTITUDE	-20 to +75°C, 20 - 90%RH (Non condensing), 9,000m (30,000 feet) max				
	VIBRATION	10 - 55Hz, 19.6m/s ² (2G), 3minutes period, 60minutes each along X, Y and Z axes				
	IMPACT	196.1m/s ² (20G), 11ms, once each X, Y and Z axes				
SAFETY AND NOISE REGULATIONS	AGENCY APPROVALS	UL62368-1, C-UL (CSA62368-1), EN62368-1, UL508 (Except option -J, -J1) Complies with DEN-AN				
	CONDUCTED NOISE	Complies with FCC-B, VCCI-B, CISPR22-B, EN55011-B, EN55022-B				
	HARMONIC ATTENUATOR *7	Complies with IEC61000-3-2 class A				

SPECIFICATIONS

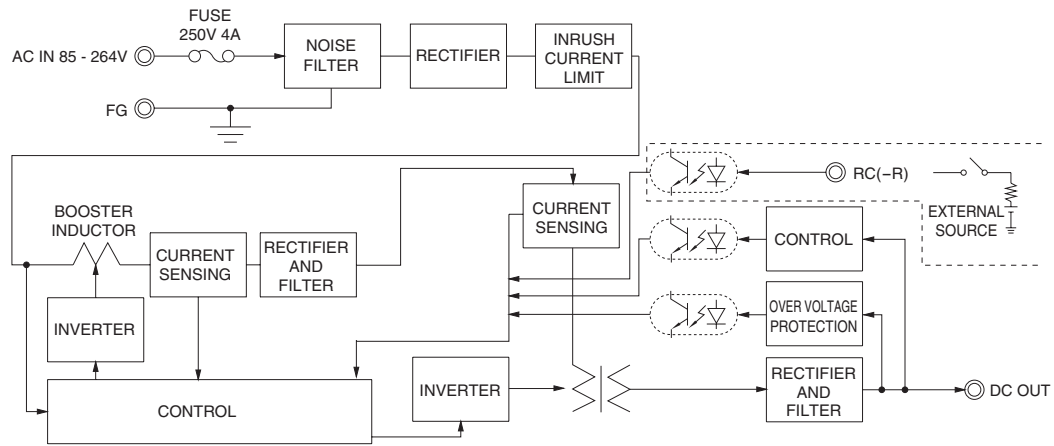
OTHERS	CASE SIZE/WEIGHT	41 X 97 X 129mm [1.61 X 3.82 X 5.08 inches] (Excluding terminal block and screw) (W X H X D) / 600g max
	COOLING METHOD	Convection
WARRANTY	WARRANTY	*5 5 years (subject to the operating conditions)

- *1 This is the result of measurement of the testing board with capacitors of 22 μ F and 0.1 μ F placed at 150 mm from the output terminals by a 20 MHz oscilloscope or a ripple-noise meter equivalent to Keisoku-Giken RM103. See 1.6 of Instruction Manual for more details. When the load factor is 0 - 30%, the switching power loss is reduced by burst operation, which will cause ripple and ripple noise to go beyond the specifications.
- *2 Drift is the change in DC output for an eight hour period after a half-hour warm-up at 25°C.
- *3 Consult us about dynamic load and input response. Measure the output voltage by using the average mode of the tester to deal with the burst operation at 30% load or less.
- *4 Output power derating is required. Refer to "Derating".
- *5 See 4 in Instruction Manual for more details.
- *6 Consult us about safety agency approvals for the models with optional functions.
- *7 Consult us about other classes.
- *8 The RC terminal is added to option -R models. The RC terminal is isolated from input, output, and FG.
- * Do not use the power supply in overcurrent conditions or in unspecified input voltage ranges. Otherwise the internal components may be damaged.
- * Parallel operation is not possible with this mode.
- * Sound noise may be heard from the power supply when used for pulse load.

Features

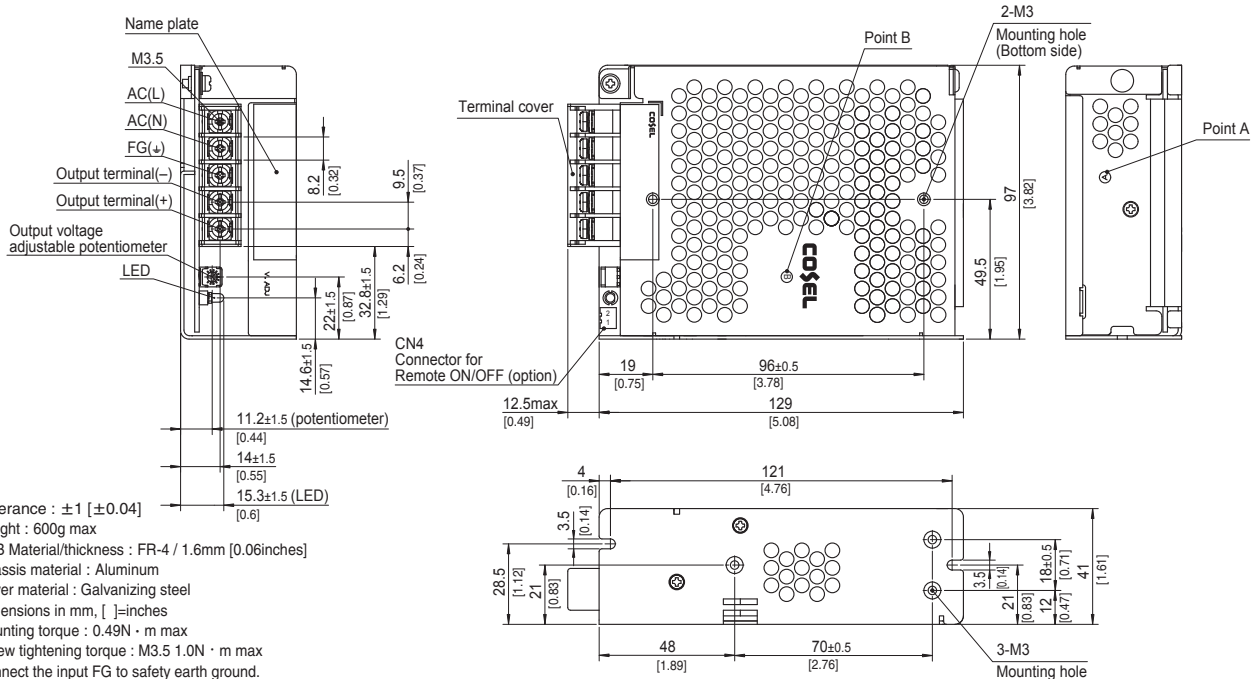
- Compact design (Depth: 129mm 5.08inches)
- High efficiency (90%typ PJA150F-24, AC230Vin, 100% load)
- Low power consumption (1.5W typ AC240Vin, no load at standard model)
- UL508 approved (Except option -J, -J1), and complies with SEMI F47 (see instruction manual 1.1)
- Various connection interface options (vertical terminal [-T], AMP connector [-J], [-J1])

Block diagram



External view

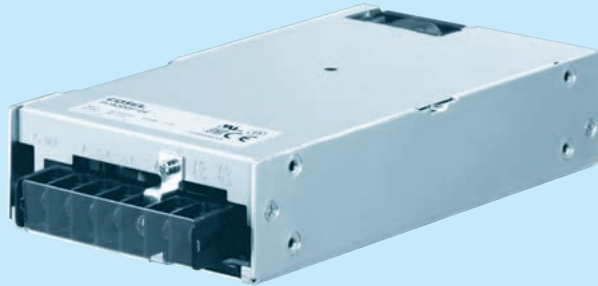
The external size of -R option, -J option, -J1 option, -N2 option and -T option models is different from the standard model. See "6. Options and Others" in Instruction Manual for more details.



PJA300F

PJ A 300 F -□ -□

① ② ③ ④ ⑤ ⑥



Example recommended EMI/EMC filter
NAC-06-472



High voltage pulse noise type : NAP series
Low leakage current type : NAM series

* A higher current rating EMI/EMC filter may be recommended in view of the other devices that could be connected in parallel with the power supply.

- ① Series name
- ② Single output
- ③ Output wattage
- ④ Universal input
- ⑤ Output voltage
- ⑥ Optional *6
- C : with Coating
- G : Low leakage current
- V : External potentiometer for output voltage adjustment
- R : Remote on/off (Required external power source)
- F4: Low speed fan

See 6.1 in Instruction Manual.

*Make sure necessary tests will be carried out on your end equipment with the power supply installed in accordance with any required EMC/EML regulations.

SPECIFICATIONS

	MODEL	PJA300F-5	PJA300F-12	PJA300F-15	PJA300F-24	PJA300F-36	PJA300F-48	
INPUT	VOLTAGE[V]	AC85 - 264 1 φ (Output derating is required at AC85V - 100V. Refer to "Derating" and instruction manual 1.1, 3)						
	CURRENT[A]	ACIN 100V	3.5typ (Io=100%)	3.9typ (Io=100%)				
		ACIN 115V	3.0typ (Io=100%)	3.3typ (Io=100%)				
		ACIN 230V	1.5typ (Io=100%)	1.7typ (Io=100%)				
	FREQUENCY[Hz]	50 / 60 (47 - 63)						
	EFFICIENCY[%]	ACIN 100V	73typ (Io=100%)	79typ (Io=100%)	81typ (Io=100%)	82typ (Io=100%)	83typ (Io=100%)	82typ (Io=100%)
		ACIN 115V	74typ (Io=100%)	80typ (Io=100%)	82typ (Io=100%)	83typ (Io=100%)	83typ (Io=100%)	83typ (Io=100%)
		ACIN 230V	77typ (Io=100%)	82typ (Io=100%)	84typ (Io=100%)	86typ (Io=100%)	87typ (Io=100%)	86typ (Io=100%)
	POWER FACTOR	ACIN 100V	0.99typ (Io=100%)					
		ACIN 115V	0.98typ (Io=100%)					
ACIN 230V		0.95typ (Io=100%)						
INRUSH CURRENT[A]	ACIN 100V	20typ (Io=100%) Ta=25°C at cold start						
	ACIN 115V	20typ (Io=100%) Ta=25°C at cold start						
	ACIN 230V	40typ (Io=100%) Ta=25°C at cold start						
LEAKAGE CURRENT[ma]	0.75max (ACIN 240V, 60Hz, Io=100%, According to IEC62368-1 and DEN-AN)							
OUTPUT	VOLTAGE[V]	5	12	15	24	36	48	
	CURRENT[A]	ACIN 85-100V	Output derating is required at ACIN 100V or less (Refer to "Derating")					
		ACIN 100V-264V	50	25	20	12.5	8.4	6.3
	WATTAGE[W]	ACIN 85-100V	Output derating is required at ACIN 100V or less (Refer to "Derating")					
		ACIN 100V-264V	250	300	300	300	302.4	302.4
	LINE REGULATION[mV]	*3	20max	48max	60max	96max	144max	192max
	LOAD REGULATION[mV]	*3	40max	100max	120max	150max	150max	300max
	RIPPLE[mVp-p]	0 to +50°C	80max	120max	120max	120max	150max	150max
		*1 -10 to 0°C	140max	160max	160max	160max	160max	400max
	RIPPLE NOISE[mVp-p]	0 to +50°C	120max	150max	150max	150max	200max	200max
		*1 -10 to 0°C	160max	180max	180max	180max	240max	500max
	TEMPERATURE REGULATION[mV]	0 to +50°C	50max	120max	150max	240max	360max	480max
		*1 -10 to +50°C	75max	180max	180max	290max	440max	600max
	DRIFT[mV]	*2	20max	48max	60max	96max	144max	192max
	START-UP TIME[ms]		300typ (ACIN 100V, Io=100%)					
HOLD-UP TIME[ms]		20typ (ACIN 100V, Io=100%)						
OUTPUT VOLTAGE ADJUSTMENT RANGE[V]		4.50 to 5.50	10.80 to 13.20	13.50 to 16.50	21.60 to 26.40	32.40 to 39.60	43.20 to 52.80	
OUTPUT VOLTAGE SETTING[V]		5.00 to 5.15	12.00 to 12.48	15.00 to 15.60	24.00 to 24.96	36.00 to 37.44	48.00 to 49.92	
PROTECTION CIRCUIT AND OTHERS	OVERCURRENT PROTECTION	Works over 105% of rating and recovers automatically						
	OVERVOLTAGE PROTECTION[V]	5.75 to 7.00	13.80 to 16.80	17.25 to 21.00	27.60 to 33.60	41.40 to 50.40	55.20 to 67.20	
	OPERATING INDICATION	LED (Green)						
	REMOTE SENSING	Not provided						
REMOTE ON/OFF	Optional (Required external power source. Option -R)							
ISOLATION	INPUT-OUTPUT • RC	*9	AC3,000V 1minute, Cutoff current = 10mA, DC500V 50MΩ min (At room temperature)					
	INPUT-FG		AC2,000V 1minute, Cutoff current = 10mA, DC500V 50MΩ min (At room temperature)					
	OUTPUT • RC-FG	*9	AC500V 1minute, Cutoff current = 100mA, DC500V 50MΩ min (At room temperature)					
	OUTPUT-RC	*9	AC500V 1minute, Cutoff current = 100mA, DC500V 50MΩ min (At room temperature)					
ENVIRONMENT	OPERATING TEMP., HUMID. AND ALTITUDE *4	-20 to +70°C (Refer to "Derating"), 20 - 90%RH (Non condensing), 3,000m (10,000 feet) max						
	STORAGE TEMP., HUMID. AND ALTITUDE	-20 to +75°C, 20 - 90%RH (Non condensing), 9,000m (30,000 feet) max						
	VIBRATION	10 - 55Hz, 19.6m/s ² (2G), 3minutes period, 60minutes each along X, Y and Z axes						
SAFETY AND NOISE REGULATIONS	IMPACT	196.1m/s ² (20G), 11ms, once each X, Y and Z axes						
	AGENCY APPROVALS	UL62368-1, C-UL (CSA62368-1), EN62368-1 Complies with DEN-AN						
	CONDUCTED NOISE	Complies with FCC-B, VCCI-B, CISPR22-B, EN55011-B, EN55022-B						
HARMONIC ATTENUATOR *8	Complies with IEC61000-3-2 class A							

SPECIFICATIONS

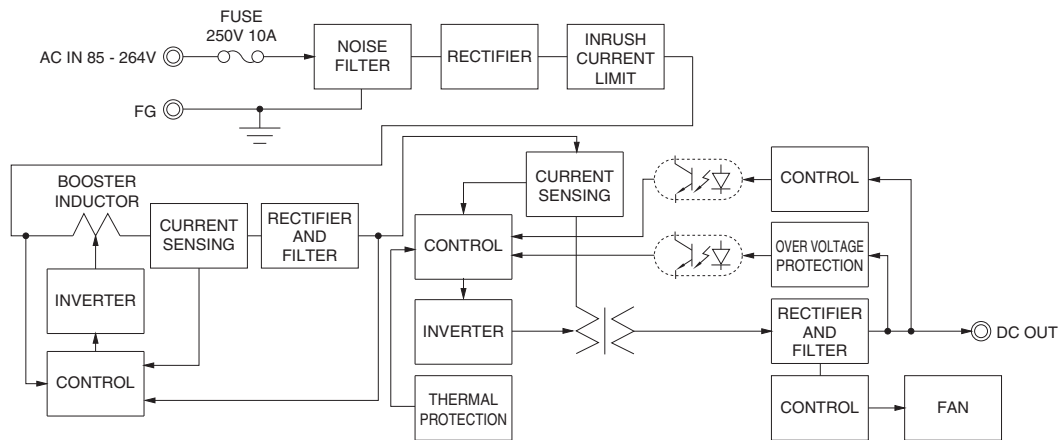
OTHERS	CASE SIZE/WEIGHT	102 X 41 X 190mm [4.02 X 1.61 X 7.48 inches] (Excluding terminal block and screw) (W X H X D) / 1.0kg max
	COOLING METHOD	*7 Forced cooling (internal fan)
WARRANTY	WARRANTY	*5 5 years (subject to the operating conditions)

- *1 This is the result of measurement of the testing board with capacitors of 22 μ F and 0.1 μ F placed at 150 mm from the output terminals by a 20 MHz oscilloscope or a ripple-noise meter equivalent to Keisoku-Giken RM103.
- *2 See 1.6 of Instruction Manual for more details.
- *3 Consult us about dynamic load and input response.
- *4 Output power derating is required. Refer to "Derating".
- *5 See 4 in Instruction Manual for more details.
- *6 Consult us about safety agency approvals for the models with optional functions.
- *7 The fan speed slows down at no load.
- *8 Consult us about other classes.
- *9 The RC terminal is added to option -R models. The RC terminal is isolated from input, output, and FG.
- * Do not use the power supply in overcurrent conditions or in unspecified input voltage ranges. Otherwise the internal components may be damaged.
- * Parallel operation is not possible with this mode.
- * Sound noise may be heard from the power supply when used for pulse load.

Features

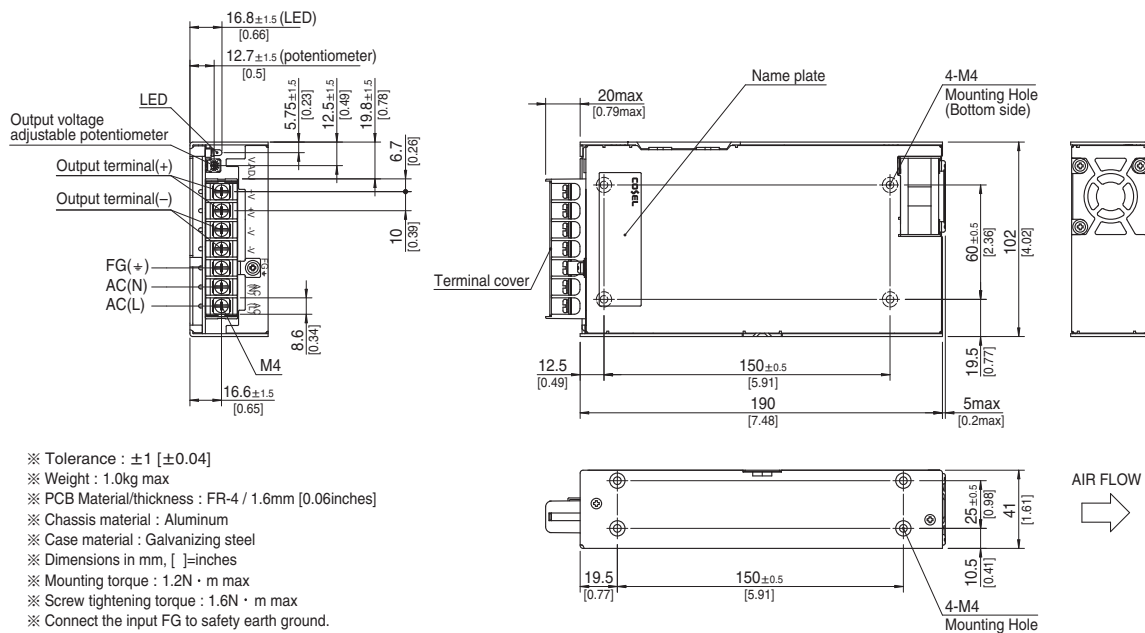
- Cost-effective
- Longer life (see Instruction Manual)
- Low profile (meets 1U height = 41 mm or 1.61 inches)
- Wide operating temperature range (-20°C to +70°C Refer to "Derating")
- Slow fan speed at no load
- Complies with SEMI F-47
- Many optional functions

Block diagram



External view

The external size of -V option and -R option models is different from the standard model. See "6. Options and Others" in Instruction Manual for more details.



PJA600F

PJ A 600 F - □ - □

① ② ③ ④ ⑤ ⑥



Example recommended EMI/EMC filter
NAC-16-472



High voltage pulse noise type : NAP series
Low leakage current type : NAM series
* A higher current rating EMI/EMC filter may be recommended in view of the other devices that could be connected in parallel with the power supply.

- ① Series name
- ② Single output
- ③ Output wattage
- ④ Universal input
- ⑤ Output voltage
- ⑥ Optional *6
- C : with Coating
- G : Low leakage current
- V : External potentiometer for output voltage adjustment
- W: Parallel operation, LV alarm and Remote sensing
- R : Remote on/off (Required external power source)
- F4: Low speed fan

See 6.1 in Instruction Manual.

*Make sure necessary tests will be carried out on your end equipment with the power supply installed in accordance with any required EMC/EMI regulations.

SPECIFICATIONS

	MODEL	PJA600F-5	PJA600F-12	PJA600F-15	PJA600F-24	PJA600F-36	PJA600F-48	
INPUT	VOLTAGE[V]	AC85 - 264 1 φ (Output derating is required at AC85V - 100V. Refer to "Derating" and instruction manual 1.1, 3)						
	CURRENT[A]	ACIN 100V	6.7typ (Io=100%)	7.5typ (Io=100%)				
		ACIN 115V	5.7typ (Io=100%)	6.5typ (Io=100%)				
		ACIN 230V	2.8typ (Io=100%)	3.2typ (Io=100%)				
	FREQUENCY[Hz]	50 / 60 (47 - 63)						
	EFFICIENCY[%]	ACIN 100V	76typ (Io=100%)	81typ (Io=100%)	82typ (Io=100%)	84typ (Io=100%)	85typ (Io=100%)	85typ (Io=100%)
		ACIN 115V	77typ (Io=100%)	82typ (Io=100%)	82typ (Io=100%)	85typ (Io=100%)	86typ (Io=100%)	85typ (Io=100%)
		ACIN 230V	79typ (Io=100%)	84typ (Io=100%)	85typ (Io=100%)	88typ (Io=100%)	88typ (Io=100%)	88typ (Io=100%)
	POWER FACTOR	ACIN 100V	0.99typ (Io=100%)					
		ACIN 115V	0.98typ (Io=100%)					
ACIN 230V		0.95typ (Io=100%)						
INRUSH CURRENT[A]	ACIN 100V	20/40typ (Io=100%) (Primary inrush current /Secondary inrush current) (More than 3sec to re-start)						
	ACIN 115V	20/40typ (Io=100%) (Primary inrush current /Secondary inrush current) (More than 3sec to re-start)						
	ACIN 230V	40/40typ (Io=100%) (Primary inrush current /Secondary inrush current) (More than 3sec to re-start)						
LEAKAGE CURRENT[ma]	1.5max (ACIN 240V, 60Hz, Io=100%, According to IEC62368-1 and DEN-AN)							
OUTPUT	VOLTAGE[V]	5	12	15	24	36	48	
	CURRENT[A]	ACIN 85-100V	Output derating is required at ACIN 100V or less (Refer to "Derating")					
		ACIN 100V-264V	100	50	40	25	16.7	12.5
	WATTAGE[W]	ACIN 85-100V	Output derating is required at ACIN 100V or less (Refer to "Derating")					
		ACIN 100V-264V	500	600	600	600	601.2	600
	LINE REGULATION[mV]	*7	20max	48max	60max	96max	144max	192max
	LOAD REGULATION[mV]	*7	40max	100max	120max	150max	150max	300max
	RIPPLE[mVp-p]	0 to +50°C	80max	120max	120max	120max	150max	150max
		*1 -20 to 0°C	140max	160max	160max	160max	160max	400max
	RIPPLE NOISE[mVp-p]	0 to +50°C	120max	150max	150max	150max	200max	200max
		*1 -20 to 0°C	160max	180max	180max	180max	240max	500max
	TEMPERATURE REGULATION[mV]	0 to +50°C	50max	120max	150max	240max	360max	480max
		*2 -20 to +50°C	75max	180max	180max	290max	440max	600max
	DRIFT[mV]	*2	20max	48max	60max	96max	144max	192max
	START-UP TIME[ms]	300typ (ACIN 100V, Io=100%)						
HOLD-UP TIME[ms]	20typ (ACIN 100V, Io=100%)							
OUTPUT VOLTAGE ADJUSTMENT RANGE[V]	4.50 to 5.50		10.80 to 13.20		13.50 to 16.50		21.60 to 26.40	
OUTPUT VOLTAGE SETTING[V]	5.00 to 5.15		12.00 to 12.48		15.00 to 15.60		24.00 to 24.96	
PROTECTION CIRCUIT AND OTHERS	OVERCURRENT PROTECTION	Works over 105% of rating and recovers automatically						
	OVERVOLTAGE PROTECTION[V]	5.75 to 7.00	13.80 to 16.80	17.25 to 21.00	27.60 to 33.60	41.40 to 50.40	55.20 to 67.20	
	OPERATING INDICATION	LED (Green)						
	REMOTE SENSING	Optional (Option -W)						
	REMOTE ON/OFF	Optional (Required external power source. Option -R)						
ISOLATION	INPUT-OUTPUT • RC	*3 AC3,000V 1minute, Cutoff current = 10mA, DC500V 50MΩ min (At room temperature)						
	INPUT-FG	AC2,000V 1minute, Cutoff current = 10mA, DC500V 50MΩ min (At room temperature)						
	OUTPUT • RC-FG	*3 AC500V 1minute, Cutoff current = 100mA, DC500V 50MΩ min (At room temperature)						
	OUTPUT-RC	*3 AC500V 1minute, Cutoff current = 100mA, DC500V 50MΩ min (At room temperature)						
ENVIRONMENT	OPERATING TEMP., HUMID. AND ALTITUDE *4	-20 to +70°C (Refer to "Derating"), 20 - 90%RH (Non condensing), 3,000m (10,000 feet) max						
	STORAGE TEMP., HUMID. AND ALTITUDE	-20 to +75°C, 20 - 90%RH (Non condensing), 9,000m (30,000 feet) max						
	VIBRATION	10 - 55Hz, 19.6m/s ² (2G), 3minutes period, 60minutes each along X, Y and Z axes						
	IMPACT	196.1m/s ² (20G), 11ms, once each X, Y and Z axes						
SAFETY AND NOISE REGULATIONS	AGENCY APPROVALS	UL62368-1, C-UL (CSA62368-1), EN62368-1 Complies with DEN-AN						
	CONDUCTED NOISE	Complies with FCC-B, VCCI-B, CISPR22-B, EN55011-B, EN55022-B						
	HARMONIC ATTENUATOR *9	Complies with IEC61000-3-2 class A						

PJA1000F

PJ A 1000 F -□ -□

① ② ③ ④ ⑤ ⑥



Example recommended EMI/EMC filter
NAC-20-472



High voltage pulse noise type : NAP series
Low leakage current type : NAM series

- ① Series name
- ② Single output
- ③ Output wattage
- ④ Universal input
- ⑤ Output voltage
- ⑥ Optional *8
- C : with Coating
- G : Low leakage current
- V : External potentiometer for output voltage adjustment
- W : Parallel operation, LV alarm and Remote sensing
- R : Remote on/off (Required external power source)

See 6.1 in Instruction Manual.

*Make sure necessary tests will be carried out on your end equipment with the power supply installed in accordance with any required EMC/EMI regulations.

SPECIFICATIONS

	MODEL	PJA1000F-12	PJA1000F-15	PJA1000F-24	PJA1000F-36	PJA1000F-48	
INPUT	VOLTAGE[V]	AC85 - 264 1 φ (Output derating is required at AC85V - 115V. Refer to "Derating" and instruction manual 1.1, 3)					
	CURRENT[A]	ACIN 100V	12.5typ (Io=90%)				
		ACIN 115V	11.0typ (Io=100%)				
		ACIN 230V	5.5typ (Io=100%)				
	FREQUENCY[Hz]	50 / 60 (47 - 63)					
	EFFICIENCY[%]	ACIN 100V	81typ (Io=90%)	82typ (Io=90%)	84typ (Io=90%)	84typ (Io=90%)	84typ (Io=90%)
		ACIN 115V	82typ (Io=100%)	82typ (Io=100%)	85typ (Io=100%)	85typ (Io=100%)	85typ (Io=100%)
		ACIN 230V	85typ (Io=100%)	85typ (Io=100%)	88typ (Io=100%)	88typ (Io=100%)	88typ (Io=100%)
	POWER FACTOR	ACIN 100V	0.98typ (Io=90%)				
		ACIN 115V	0.98typ (Io=100%)				
ACIN 230V		0.95typ (Io=100%)					
INRUSH CURRENT[A]	ACIN 100V	15/30typ (Io=90%) (Primary inrush current /Secondary inrush current) (More than 10sec to re-start)					
	ACIN 115V	15/30typ (Io=100%) (Primary inrush current /Secondary inrush current) (More than 10sec to re-start)					
	ACIN 230V	30/30typ (Io=100%) (Primary inrush current /Secondary inrush current) (More than 10sec to re-start)					
LEAKAGE CURRENT[ma]	1.5max (ACIN 240V, 60Hz, Io=100%, According to IEC62368-1 and DEN-AN)						
OUTPUT	VOLTAGE[V]	12	15	24	36	48	
	CURRENT[A]	ACIN 85-115V	Output derating is required at ACIN 115V or less (Refer to "Derating")				
		ACIN 115V-264V	84	67	42	28	21
	WATTAGE[W]	ACIN 85-115V	Output derating is required at ACIN 115V or less (Refer to "Derating")				
		ACIN 115V-264V	1008	1005	1008	1008	1008
	LINE REGULATION[mV]	*2	48max	60max	96max	144max	192max
	LOAD REGULATION[mV]	*2	100max	120max	150max	150max	300max
	RIPPLE[mVp-p]	0 to +50°C	180max	180max	120max	150max	200max
		*1 -20 to 0°C	240max	240max	160max	200max	500max
	RIPPLE NOISE[mVp-p]	0 to +50°C	210max	210max	150max	200max	300max
		*1 -20 to 0°C	270max	270max	180max	240max	600max
	TEMPERATURE REGULATION[mV]	0 to +50°C	120max	150max	240max	360max	480max
		*1 -20 to +50°C	180max	180max	290max	440max	600max
	DRIFT[mV]	*3	48max	60max	96max	144max	192max
	START-UP TIME[ms]	800typ (ACIN 115V, Io=100%)					
HOLD-UP TIME[ms]	20typ (ACIN 115V, Io=100%)						
OUTPUT VOLTAGE ADJUSTMENT RANGE[V]	10.80 to 13.50	13.50 to 17.30	20.40 to 28.50	30.60 to 40.80	40.80 to 55.20		
OUTPUT VOLTAGE SETTING[V]	12.00 to 12.48	15.00 to 15.60	24.00 to 24.96	36.00 to 37.44	48.00 to 49.92		
PROTECTION CIRCUIT AND OTHERS	OVERCURRENT PROTECTION	Works over 105% of rating and recovers automatically					
	OVERVOLTAGE PROTECTION[V]	14.40 to 17.40	18.00 to 21.80	28.80 to 34.80	43.20 to 52.20	57.00 to 67.20	
	OPERATING INDICATION	LED (Green)					
	REMOTE SENSING	Optional (Option -W)					
	REMOTE ON/OFF	Optional (Required external power source. Option -R)					
ISOLATION	INPUT-OUTPUT	AC3,000V 1minute, Cutoff current = 25mA, DC500V 50MΩ min (At room temperature)					
	INPUT-FG	AC2,000V 1minute, Cutoff current = 25mA, DC500V 50MΩ min (At room temperature)					
	OUTPUT-FG	AC500V 1minute, Cutoff current = 100mA, DC500V 50MΩ min (At room temperature)					
ENVIRONMENT	OPERATING TEMP., HUMID. AND ALTITUDE *4	-20 to +70°C (Refer to "Derating"), 20 - 90%RH (Non condensing), 3,000m (10,000 feet) max					
	STORAGE TEMP., HUMID. AND ALTITUDE	-20 to +75°C, 20 - 90%RH (Non condensing), 9,000m (30,000 feet) max					
	VIBRATION	10 - 55Hz, 19.6m/s ² (2G), 3minutes period, 60minutes each along X, Y and Z axes					
	IMPACT	196.1m/s ² (20G), 11ms, once each X, Y and Z axes					
SAFETY AND NOISE REGULATIONS	AGENCY APPROVALS	UL62368-1, C-UL (CSA62368-1), EN62368-1 Complies with DEN-AN					
	CONDUCTED NOISE	Complies with FCC-B, VCCI-B, CISPR22-B, EN55011-B, EN55022-B					
	HARMONIC ATTENUATOR *5	Complies with IEC61000-3-2 class A					

SPECIFICATIONS

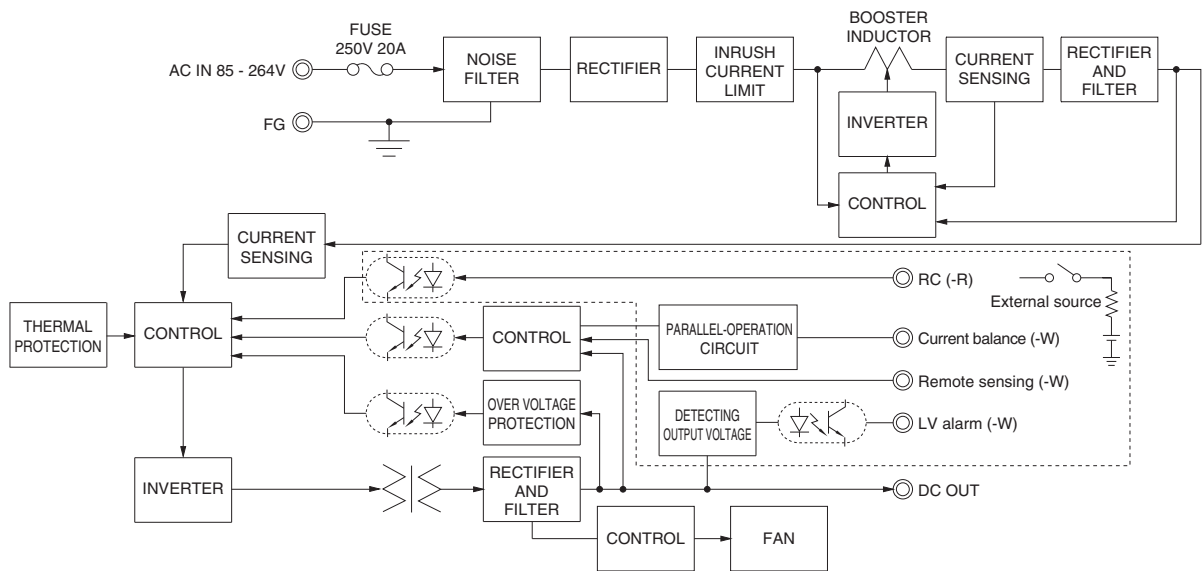
OTHERS	CASE SIZE/WEIGHT	150×61×240mm [5.91×2.40×9.45 inches] (Excluding terminal block and screw) (W×H×D) / 2.8kg max
	COOLING METHOD	*6 Forced cooling (internal fan)
WARRANTY	WARRANTY	*7 5 years (subject to the operating conditions)

- *1 This is the result of measurement of the testing board with capacitors of 22 μF and 0.1 μF placed at 150 mm from the output terminals by a 20 MHz oscilloscope or a ripple-noise meter equivalent to Keisoku-Giken RM103.
See 1.6 of Instruction Manual for more details.
- *2 Consult us about dynamic load and input response.
- *3 Drift is the change in DC output for an eight hour period after a half-hour warm-up at 25°C.
- *4 Output power derating is required. Refer to "Derating".
- *5 Consult us about other classes.
- *6 The fan speed slows down or stops at no load.
- *7 See 4 in Instruction Manual for more details.
- *8 Consult us about safety agency approvals for the models with optional functions.
- * Do not use the power supply in overcurrent conditions or in unspecified input voltage ranges. Otherwise the internal components may be damaged.
- * Parallel operation is not possible with this mode.
- * Audible noise may be heard from the power supply when used for pulse load.

Features

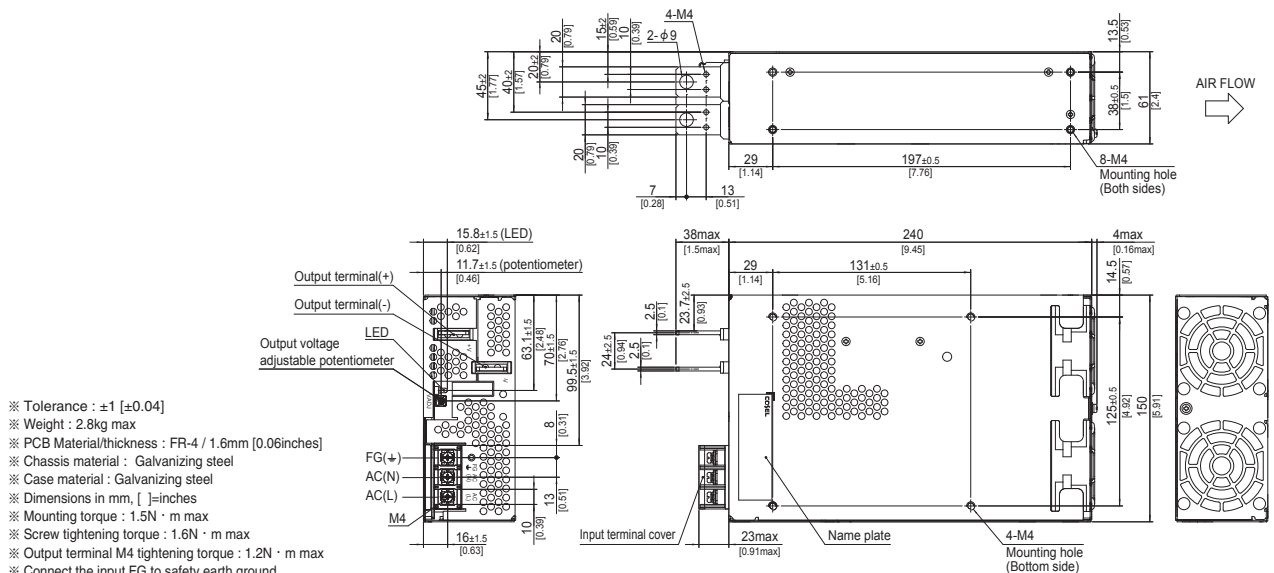
- Cost-effective
- Longer life (see Instruction Manual)
- Low profile (meets 2U height = 61 mm or 2.4 inches)
- Wide operating temperature range (-20°C to +70°C Refer to "Derating")
- Stop or slow fan speed at no load

Block diagram



External view

The external size of -V option, -W option and -R option models is different from the standard model. See "6. Options and Others" in Instruction Manual for more details.

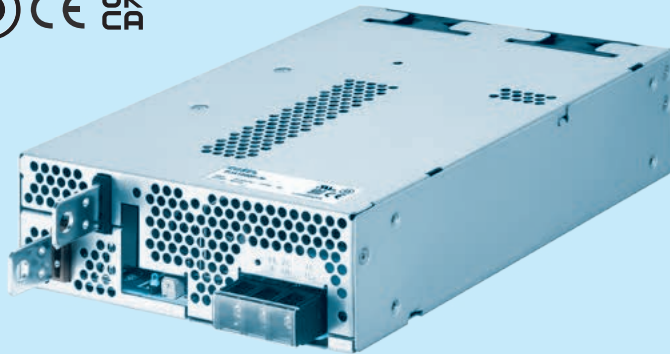


- ※ Tolerance : ±1 [±0.04]
- ※ Weight : 2.8kg max
- ※ PCB Material/thickness : FR-4 / 1.6mm [0.06inches]
- ※ Chassis material : Galvanizing steel
- ※ Case material : Galvanizing steel
- ※ Dimensions in mm, []=inches
- ※ Mounting torque : 1.5N · m max
- ※ Screw tightening torque : 1.6N · m max
- ※ Output terminal M4 tightening torque : 1.2N · m max
- ※ Connect the input FG to safety earth ground.

PJA1500F

PJ A 1500 F -□ -□

① ② ③ ④ ⑤ ⑥



Example recommended EMI/EMC filter
NAC-20-472



High voltage pulse noise type : NAP series
Low leakage current type : NAM series

- ① Series name
- ② Single output
- ③ Output wattage
- ④ Universal input
- ⑤ Output voltage
- ⑥ Optional *8
- C : with Coating
- G : Low leakage current
- V : External potentiometer for output voltage adjustment
- W : Parallel operation, LV alarm and Remote sensing
- R : Remote on/off (Required external power source)

See 6.1 in Instruction Manual.

*Make sure necessary tests will be carried out on your end equipment with the power supply installed in accordance with any required EMC/EML regulations.

SPECIFICATIONS

	MODEL	PJA1500F-12	PJA1500F-15	PJA1500F-24	PJA1500F-36	PJA1500F-48	
INPUT	VOLTAGE[V]	AC85 - 264 1 φ (Output derating is required at AC85V - 115V. Refer to "Derating" and instruction manual 1.1, 3)					
	CURRENT[A]	ACIN 100V	18typ (Io=90%)				
		ACIN 115V	16typ (Io=100%)				
		ACIN 230V	8typ (Io=100%)				
	FREQUENCY[Hz]	50 / 60 (47 - 63)					
	EFFICIENCY[%]	ACIN 100V	81typ (Io=90%)	82typ (Io=90%)	84typ (Io=90%)	84typ (Io=90%)	84typ (Io=90%)
		ACIN 115V	82typ (Io=100%)	82typ (Io=100%)	85typ (Io=100%)	85typ (Io=100%)	84typ (Io=100%)
		ACIN 230V	85typ (Io=100%)	85typ (Io=100%)	88typ (Io=100%)	88typ (Io=100%)	87typ (Io=100%)
	POWER FACTOR	ACIN 100V	0.98typ (Io=90%)				
		ACIN 115V	0.98typ (Io=100%)				
ACIN 230V		0.95typ (Io=100%)					
INRUSH CURRENT[A]	ACIN 100V	15/30typ (Io=90%) (Primary inrush current /Secondary inrush current) (More than 10sec to re-start)					
	ACIN 115V	15/30typ (Io=100%) (Primary inrush current /Secondary inrush current) (More than 10sec to re-start)					
	ACIN 230V	30/30typ (Io=100%) (Primary inrush current /Secondary inrush current) (More than 10sec to re-start)					
LEAKAGE CURRENT[ma]	1.5max (ACIN 240V, 60Hz, Io=100%, According to IEC62368-1 and DEN-AN)						
OUTPUT	VOLTAGE[V]	12	15	24	36	48	
	CURRENT[A]	ACIN 85-115V	Output derating is required at ACIN 115V or less (Refer to "Derating")				
		ACIN 115V-264V	125	100	64	42	32
	WATTAGE[W]	ACIN 85-115V	Output derating is required at ACIN 115V or less (Refer to "Derating")				
		ACIN 115V-264V	1500	1500	1536	1512	1536
	LINE REGULATION[mV]	*2	48max	60max	96max	144max	192max
	LOAD REGULATION[mV]	*2	100max	120max	150max	150max	300max
	RIPPLE[mVp-p]	0 to +50°C	180max	180max	120max	150max	200max
		*1 -20 to 0°C	240max	240max	160max	200max	500max
	RIPPLE NOISE[mVp-p]	0 to +50°C	210max	210max	150max	200max	300max
		*1 -20 to 0°C	270max	270max	270max	240max	600max
	TEMPERATURE REGULATION[mV]	0 to +50°C	120max	150max	240max	360max	480max
		-20 to +50°C	180max	180max	290max	440max	600max
	DRIFT[mV]	*3	48max	60max	96max	144max	192max
	START-UP TIME[ms]	800typ (ACIN 115V, Io=100%)					
HOLD-UP TIME[ms]	20typ (ACIN 115V, Io=100%)						
OUTPUT VOLTAGE ADJUSTMENT RANGE[V]	10.80 to 13.50	13.50 to 17.30	20.40 to 28.50	30.60 to 40.80	40.80 to 55.20		
OUTPUT VOLTAGE SETTING[V]	12.00 to 12.48	15.00 to 15.60	24.00 to 24.96	36.00 to 37.44	48.00 to 49.92		
PROTECTION CIRCUIT AND OTHERS	OVERCURRENT PROTECTION	Works over 105% of rating and recovers automatically					
	OVERVOLTAGE PROTECTION[V]	14.40 to 17.40	18.00 to 21.80	28.80 to 34.80	43.20 to 52.20	57.00 to 67.20	
	OPERATING INDICATION	LED (Green)					
	REMOTE SENSING	Optional (Option -W)					
REMOTE ON/OFF	Optional (Required external power source. Option -R)						
ISOLATION	INPUT-OUTPUT	AC3,000V 1minute, Cutoff current = 25mA, DC500V 50MΩ min (At room temperature)					
	INPUT-FG	AC2,000V 1minute, Cutoff current = 25mA, DC500V 50MΩ min (At room temperature)					
	OUTPUT-FG	AC500V 1minute, Cutoff current = 100mA, DC500V 50MΩ min (At room temperature)					
ENVIRONMENT	OPERATING TEMP., HUMID. AND ALTITUDE *4	-20 to +70°C (Refer to "Derating"), 20 - 90%RH (Non condensing), 3,000m (10,000 feet) max					
	STORAGE TEMP., HUMID. AND ALTITUDE	-20 to +75°C, 20 - 90%RH (Non condensing), 9,000m (30,000 feet) max					
	VIBRATION	10 - 55Hz, 19.6m/s ² (2G), 3minutes period, 60minutes each along X, Y and Z axes					
IMPACT	196.1m/s ² (20G), 11ms, once each X, Y and Z axes						
SAFETY AND NOISE REGULATIONS	AGENCY APPROVALS	UL62368-1, C-UL (CSA62368-1), EN62368-1, Complies with DEN-AN					
	CONDUCTED NOISE	Complies with FCC-A, VCCI-A, CISPR22-A, EN55011-A, EN55022-A, additional EMI/EMC Filter is required for meeting class B					
	HARMONIC ATTENUATOR *5	Complies with IEC61000-3-2 class A					

SPECIFICATIONS

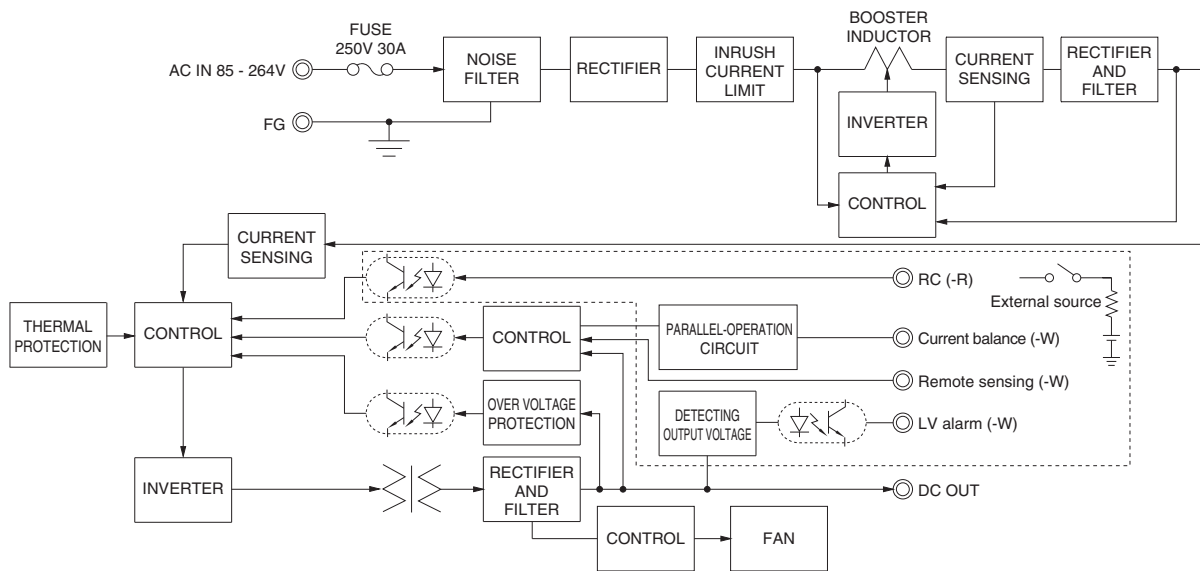
OTHERS	CASE SIZE/WEIGHT	178×61×268mm [7.01×2.40×10.55 inches] (Excluding terminal block and screw) (W×H×D) / 3.5kg max
	COOLING METHOD	*6 Forced cooling (internal fan)
WARRANTY	WARRANTY	*7 5 years (subject to the operating conditions)

- *1 This is the result of measurement of the testing board with capacitors of 22 μ F and 0.1 μ F placed at 150 mm from the output terminals by a 20 MHz oscilloscope or a ripple-noise meter equivalent to Keisoku-Giken RM103.
See 1.6 of Instruction Manual for more details.
- *2 Consult us about dynamic load and input response.
- *3 Drift is the change in DC output for an eight hour period after a half-hour warm-up at 25°C.
- *4 Output power derating is required. Refer to "Derating".
- *5 Consult us about other classes.
- *6 The fan speed slows down or stops at no load.
- *7 See 4 in Instruction Manual for more details.
- *8 Consult us about safety agency approvals for the models with optional functions.
- * Do not use the power supply in overcurrent conditions or in unspecified input voltage ranges. Otherwise the internal components may be damaged.
- * Parallel operation is not possible with this mode.
- * Audible noise may be heard from the power supply when used for pulse load.

Features

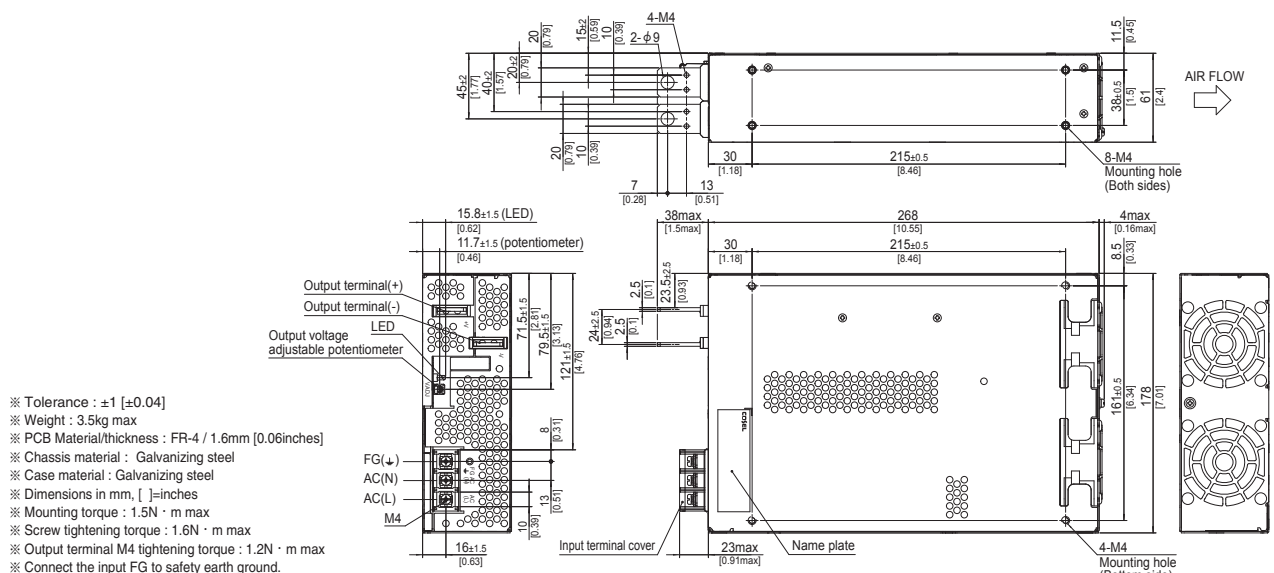
- Cost-effective
- Longer life (see Instruction Manual)
- Low profile (meets 2U height = 61 mm or 2.4 inches)
- Wide operating temperature range (-20°C to +70°C Refer to "Derating")
- Stop or slow fan speed at no load

Block diagram



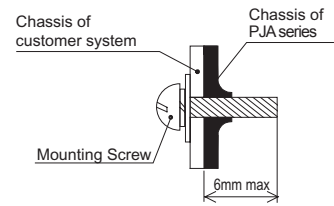
External view

The external size of -V option, -W option and -R option models is different from the standard model. See "6. Options and Others" in Instruction Manual for more details.

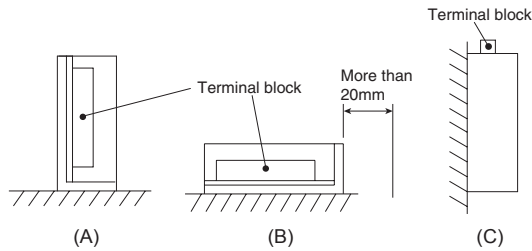


Assembling and Installation Method

- Do not insert a screw more than 6mm from the outside of a power supply to keep enough insulation distance between the screw and internal components.

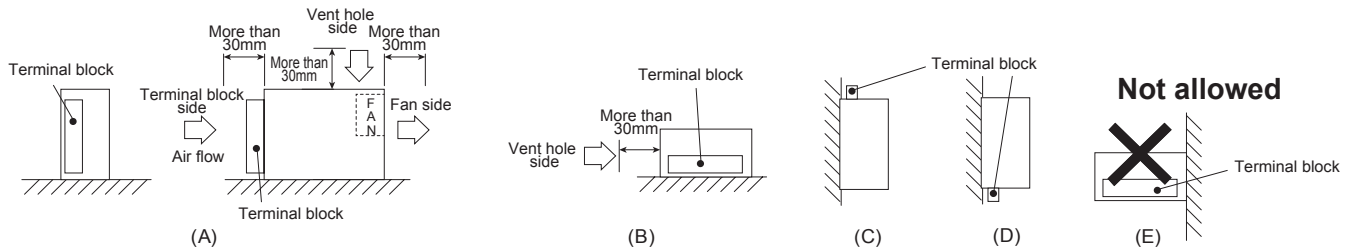


● PJA100F, PJA150F

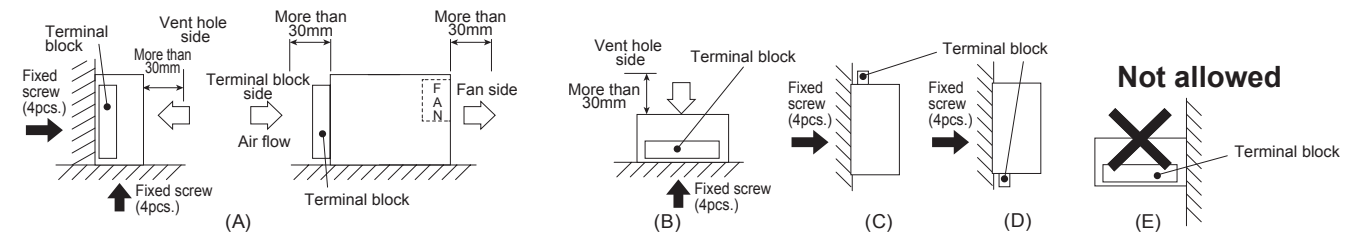


- If you use two or more power supplies side by side, please keep a sufficient distance between them to allow enough air ventilation.
- Ambient temperature around each power supply should not exceed the temperature range shown in “derating”.

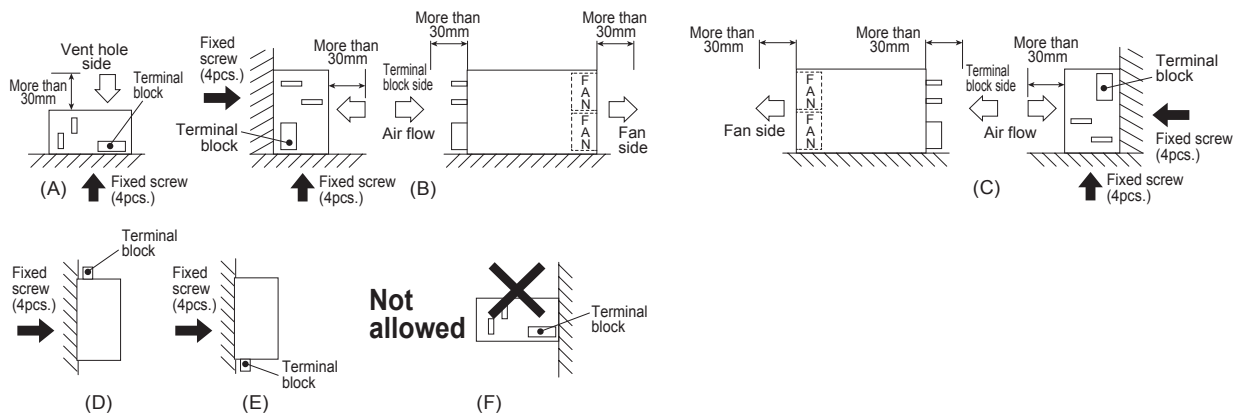
● PJA300F



● PJA600F



● PJA1000F, PJA1500F

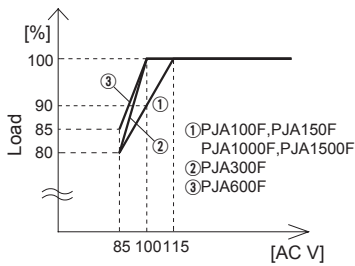


Assembling and Installation Method

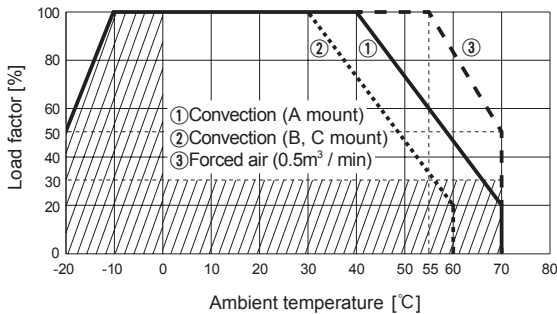
- When mounting the power supply with screws, it is recommended that this be done as shown above . If other methods are used, be sure the weight of the power supply is taken into account.
- Avoid the not allowed installation method as it gives excessive stress to the mounting holes.
- Do not block air flow of the built-in fan (terminal block and ventilation hole).
- If the power supply is used in a dusty environment, use an airfilter. Make sure air flow is not blocked.
- If the built-in fan stops, thermal protection will work and the output will stop.
- The life expectancy (R(t)=90%) of the built-in fan varies depending on the operating condition.

Derating

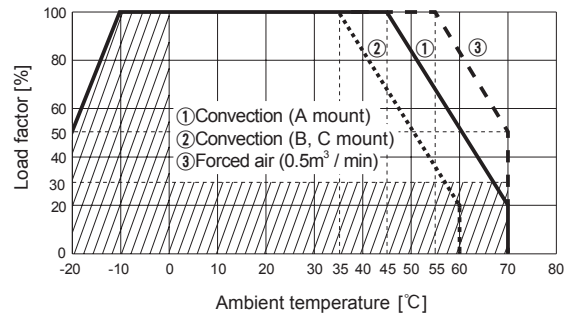
● Input voltage Derating Curve



● PJA100F/150F-12,15 Ambient temperature Derating Curve (Reference value)

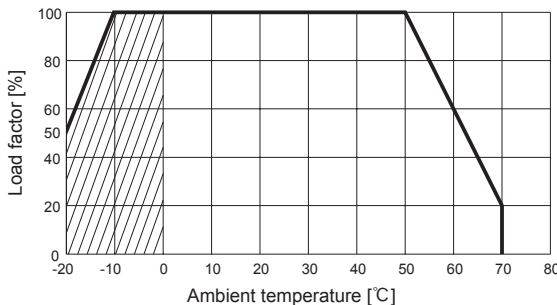


● PJA100F/150F-24,36,48 Ambient temperature Derating Curve (Reference value)

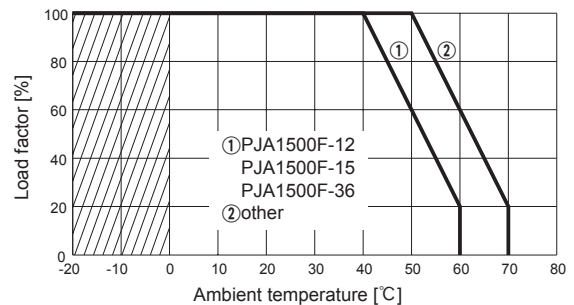


- In the hatched area, the specification of Ripple, Ripple Noise is different from other area.
- The ambient temperature should be measured 5 to 10 cm away from the power supply so that it won't be influenced by the heat from the power supply. Please consult us for more details.
- Make sure the temperature at point A and point B is less than the temperatures shown in Instruction Manual 3.

● PJA300F Ambient temperature Derating Curve



● PJA600F/1000F/1500F Ambient temperature Derating Curve



- The ambient temperature is defined as the temperature of the air (at the terminal block side) that the built-in cooling fan blows into the power supply. Please pay attention to the heat generated by the input and output wires. Please consult us for more details.

Instruction Manual

◆ It is necessary to read the “Instruction Manual” and “Before using our product” before you use our product.

Instruction Manual <https://www.cosel.co.jp/redirect/catalog/en/PJA/>
 Before using our product <https://en.cosel.co.jp/technical/caution/index.html>

PJA



NOTICE



Basic Characteristics Data

Model	Circuit method	Switching frequency [kHz]	Input current [A]	Rated input fuse	Inrush current protection circuit	PCB/Pattern			Series/Parallel operation availability	
						Material	Single sided	Double sided	Series operation	Parallel operation
PJA100F	Active filter	40 to 160	1.2 *1	250V 3.15A	Thermistor	FR-4		Yes	Yes	No
	Flyback converter	20 to 150 *2								
PJA150F	Active filter	40 to 160	1.7 *1	250V 4A	Thermistor	FR-4		Yes	Yes	No
	Flyback converter	20 to 150 *2								
PJA300F	Active filter	60	3.9 *3	250V 10A	Thermistor	FR-4		Yes	Yes	No
	Forward converter	140								
PJA600F	Active filter	60	7.5 *3	250V 16A	SCR	FR-4		Yes	Yes	*4
	Forward converter	220								
PJA1000F	Active filter	65	12.5 *1	250V 20A	TRIAC	FR-4		Yes	Yes	*4
	Forward converter	210								
PJA1500F	Active filter	65	18.0 *1	250V 30A	TRIAC	FR-4		Yes	Yes	*4
	Forward converter	210								

*1 The input current shown is at ACIN 100V and 90% load.

*2 The burst mode frequency varies according to the operating conditions. Consult us for more details.

*3 The input current shown is at ACIN 100V and 100% load.

*4 Parallel operation is possible with -W option. see “6.Option and Other” in Instruction Manual.