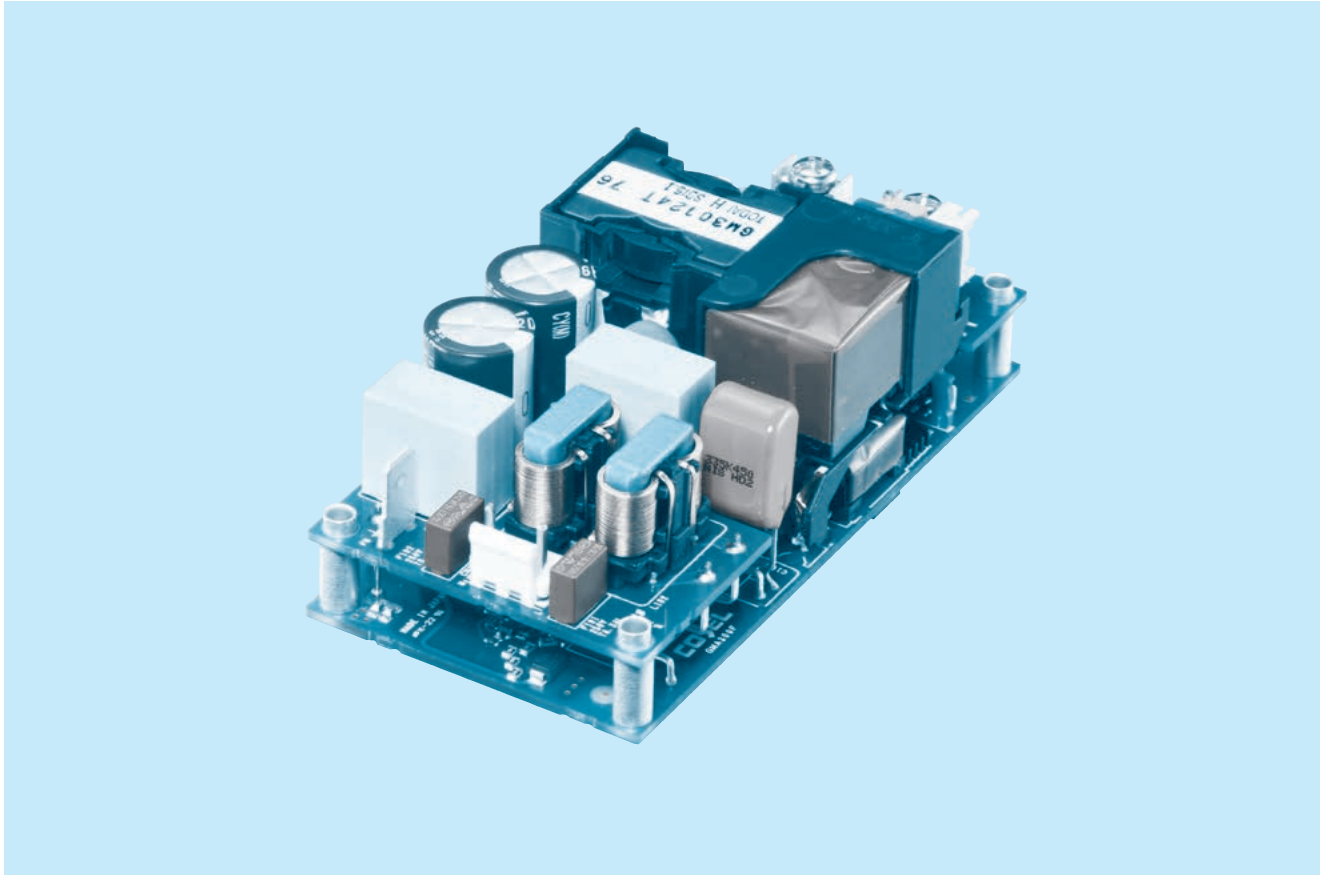




# GMA-series



## Feature

Wattage 300Wmax  
 For medical electric equipment (ANSI/AAMI ES60601-1, EN60601-1 3rd, IEC60601-1-2 4th Ed.)  
 Suitable for BF application (Output-FG : 1MOPP, Input-Output : 2MOPP)  
 2"× 4" standard footprint  
 With Remote ON/OFF (Optional)  
 With AUX1 (12V 1A), AUX2 (5V 1A) (Optional)

## Safety agency approvals

UL62368-1, ANSI/AAMI ES60601-1  
 C-UL (CSA62368-1, CAN/CSA60601-1)  
 EN62368-1, EN60601-1 3rd  
 Complies with IEC60601-1-2 4th Ed.

## 5-year warranty (Refer to Instruction Manual)

## CE marking

Low Voltage Directive  
 RoHS Directive

## UKCA marking

Electrical Equipment Safety Regulations  
 RoHS Regulations

## EMI

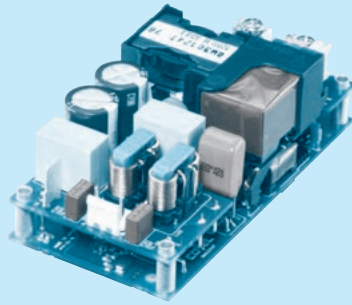
Complies with FCC-B, CISPR11-B, CISPR32-B, EN55011-B, EN55032-B, VCCI-B

## EMS Compliance : EN61204-3, EN61000-6-2 IEC60601-1-2(2014), EN60601-1-2(2015)

EN61000-4-2  
 EN61000-4-3  
 EN61000-4-4  
 EN61000-4-5  
 EN61000-4-6  
 EN61000-4-8  
 EN61000-4-11

# GMA300F

GM A 300 F -□□ -□  
 ① ② ③ ④ ⑤ ⑥



Example recommended EMI/EMC filter  
EAC-06-472



High voltage pulse noise type : EAP series  
 Low leakage current type : EAM series  
 \* A higher current rating EMI/EMC filter may be recommended in view of the other devices that could be connected in parallel with the power supply.

- ① Series name
- ② Single output
- ③ Output wattage
- ④ Universal input
- ⑤ Output voltage
- ⑥ Optional \*6
- C : with Coating
- J1 : Input connector  
VH (J.S.T.) connector type
- J3 : Horizontal input connector  
VH (J.S.T.) connector type
- R3 : with Subfeatures  
(5V1A AUX, 12V1A AUX, Remote ON/OFF)

Specification changes when options are added. Please refer to the instruction manual for more detail.

This power supply is manufactured using SMD technology. The stress to P.C.B like twisting or bending causes the defect of the unit, please handle the unit with care.

\* Make sure necessary tests will be carried out on your end equipment with the power supply installed in accordance with any required EMC/EMI regulations.

MODEL	GMA300F-12	GMA300F-24	GMA300F-48	GMA300F-56
MAX OUTPUT WATTAGE[W]	300	300	302.4	302.4
DC OUTPUT	12V 25A	24V 12.5A	48V 6.3A	56V 5.4A

## SPECIFICATIONS

	MODEL	GMA300F-12	GMA300F-24	GMA300F-48	GMA300F-56	
INPUT	VOLTAGE[V]	AC85 - 264 1φ (Output derating is required at AC85V - 115V. See "Derating")				
	CURRENT[A]	ACIN 115V	3.3typ			
		ACIN 230V	1.8typ			
	FREQUENCY[Hz]	50 / 60 (45 - 66)				
	EFFICIENCY[%]	ACIN 115V	90typ	91typ	91typ	91typ
		ACIN 230V	92typ	93typ	93typ	93typ
	POWER FACTOR (Io=100%)	ACIN 115V	0.95typ			
		ACIN 230V	0.90typ			
	INRUSH CURRENT[A]	ACIN 115V	30typ (Io=100%) (At cold start, Ta=25°C)			
		ACIN 230V	60typ (Io=100%) (At cold start, Ta=25°C)			
LEAKAGE CURRENT[ma]	0.13 / 0.30max (ACIN 100/240V 60Hz, Io=100%, According to IEC60601-1)					
OUTPUT	VOLTAGE[V]	12	24	48	56	
	CURRENT[A]	25	12.5	6.3	5.4	
	LINE REGULATION[mV]	48max	96max	192max	192max	
	LOAD REGULATION[mV]	100max	150max	240max	240max	
	RIPPLE[mVp-p]	0 to +50°C	240max	240max	400max	400max
		-20 to 0°C	320max	320max	500max	500max
	RIPPLE NOISE[mVp-p]	0 to +50°C	300max	300max	500max	500max
		-20 to 0°C	360max	360max	580max	580max
	TEMPERATURE REGULATION[mV]	0 to +50°C	120max	240max	480max	480max
		-20 to +50°C	150max	290max	600max	600max
	DRIFT[mV]	48max	96max	192max	192max	
	START-UP TIME[ms]	400typ (ACIN 115V, Io=100%) * Start-up time is 900ms typ for less than 1 minute of applying input again from turning off the input voltage.				
	HOLD-UP TIME[ms]	16typ (ACIN 115V, Io=85%) / 12typ (ACIN 115V, Io=100%)				
	OUTPUT VOLTAGE ADJUSTMENT RANGE[V]	11.40 ~ 13.20	22.80 ~ 26.40	45.60 ~ 52.80	52.00 ~ 56.00	
OUTPUT VOLTAGE SETTING[V]	12.00 ~ 12.48	24.00 ~ 24.96	48.00 ~ 49.92	55.00 ~ 56.00		
PROTECTION CIRCUIT AND OTHERS	OVERCURRENT PROTECTION	Works over 105% of rating and recovers automatically				
	OVERVOLTAGE PROTECTION[V]	13.80 to 16.80	27.60 to 33.60	55.20 to 67.20	60.00 to 70.50	
	AUX1 (12V1A)	Optional				
	AUX2 (5V1A)	Optional				
REMOTE ON/OFF	Optional					
ISOLATION	INPUT-OUTPUT · RC · AUX	*7 AC4,000V 1minute, Cutoff current = 10mA, DC500V 50MΩ min (At Room Temperature) 2MOPP				
	INPUT-FG	AC2,000V 1minute, Cutoff current = 10mA, DC500V 50MΩ min (At Room Temperature) 1MOPP				
	OUTPUT · RC · AUX-FG	*7 AC1,500V 1minute, Cutoff current = 10mA, DC500V 50MΩ min (At Room Temperature) 1MOPP				
	OUTPUT-RC · AUX	*7 AC100V 1minute, Cutoff current = 25mA, DC100V 10MΩ min (At Room Temperature)				
ENVIRONMENT	OPERATING TEMP., HUMID. AND ALTITUDE	-20 to +70°C, 20 - 90%RH (Non condensing), 5,000m (16,000feet) max *3 *8				
	STORAGE TEMP., HUMID. AND ALTITUDE	-30 to +75°C, 20 - 90%RH (Non condensing), 9,000m (30,000feet) max				
	VIBRATION	10 - 55Hz, 19.6m/s <sup>2</sup> (2G), 3minutes period, 60minutes each along X, Y and Z axis				
	IMPACT	196.1m/s <sup>2</sup> (20G), 11ms, once each X, Y and Z axis				
SAFETY AND NOISE REGULATIONS	AGENCY APPROVALS	UL62368-1, ANSI/AAMI ES60601-1, C-UL, EN62368-1, EN60601-1 3rd, Complies with IEC60601-1-2 4th Ed.				
	CONDUCTED NOISE	Complies with FCC Part15 classB, VCCI-B, CISPR32-B, EN55011-B, EN55032-B				
OTHERS	HARMONIC ATTENUATOR	*5 Complies with IEC61000-3-2 (class A)				
	CASE SIZE/WEIGHT	50.8×37×101.6mm [2.0×1.5×4.0 inches] (W×H×D) / 230g max				
	COOLING METHOD	Forced air (Requires external fan)				

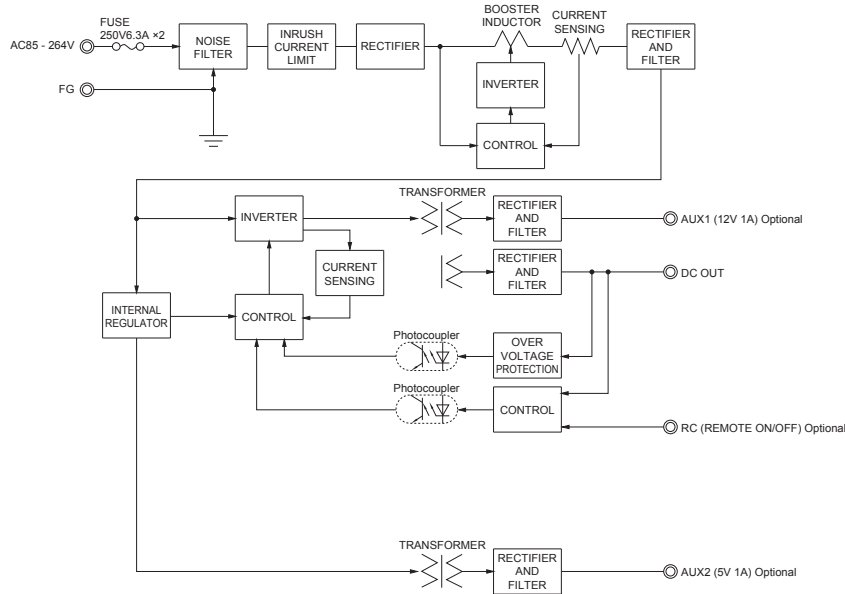
\*1 This is the value that measured on measuring board with capacitor of 22μF at 150mm from output terminal.  
 Measured by 20MHz oscilloscope or Ripple-Noise meter (Equivalent to KEISOKU-GIKEN: RM103).  
 \*2 Drift is the change in DC output for an eight hour period after a half-hour warm-up at 25°C, with the input voltage held constant at the rated input/output.  
 \*3 Refer to "Derating"  
 \*4 Please contact us about dynamic load and input response.  
 \*5 Please contact us about another class.

\*6 Specification is changed at option, refer to Instruction Manual.  
 \*7 Applicable when AUX and remote control (optional) is added.  
 \*8 Please contact us about for more detail.  
 \* To meet the specifications. Do not operate over-loaded condition.  
 \* Parallel operation is not possible.  
 \* Sound noise may be generated by power supply in case of pulse load.  
 \* Substrate bottom has a Electric potential. Insulation is required.

Features

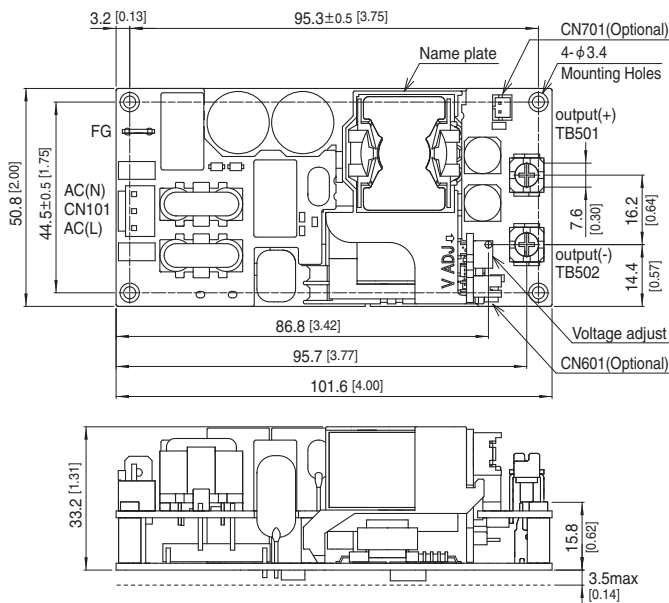
- High power density : 25.7W/inch<sup>3</sup>
- High efficiency : 93% typ (Input Voltage 230V, Output Voltage 24V)
- For medical electric equipment (ANSI/AAMI ES60601-1, EN60601-1 3rd, IEC60601-1-2 4th Ed.)
- Suitable for BF application (Output-FG : 1MOPP, Input-Output : 2MOPP)
- 2" × 4" standard footprint
- With Remote ON/OFF (Optional)
- With AUX1 (12V 1A), AUX2 (5V 1A) (Optional)

Block diagram



External view

\* External size of option J3 is different from standard model and refer to 6 Option and Others of instruction manual for details.



- \* Tolerance ±1 [±0.04]
- \* Weight : 230g max
- \* There is a total of four attachment holes.
- \* Dimensions in mm, [ ]=inches
- \* Screw tightening torque : (TB501, 502) : 1.25N · m max
- \* Mounting torque : 0.6N · m max
- \* Avoid contact between TB501 and 502 wiring with mounting parts.

	I/O Connector	Mating connector	Terminal	Mfr
Standard	CN101	1-1123724-2	1123721-1 1318912-1	Tyco Electronics
	CN101	1-1123722-3	1123721-1 1318912-1	
R3	CN601	B8B-PHDSS	PHDR-08VS	J.S.T.
	CN701	B2B-PH	PHR-2	
J1	CN101	B2P3-VH	VHR-3N	J.S.T.
J1R3	CN101	B2P3-VH	VHR-3N	
	CN601	B8B-PHDSS	PHDR-08VS	SPHD-002T-P0.5
CN701	B2B-PH	PHR-2	SPH-002T-P0.5S	

FG	Mating connector	Terminal	Mfr
250 (62409-1)	-	170603-2	Tyco Electronics

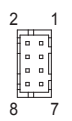
<Pin Assignments>

<CN101>

Pin No.	Input
1	AC(L)
2	
3	AC(N)

<CN601(Optional)>

Pin No.	Function
1	RC : REMOTE ON/OFF
2	RCG : REMOTE ON/OFF(GND)
3	N.C. : No connection
4	N.C. : No connection
5	N.C. : No connection
6	N.C. : No connection
7	AUX2 : AUX2 (5V 1A)
8	AUX2G : AUX2 (GND)



CN601

<CN701(Optional)>

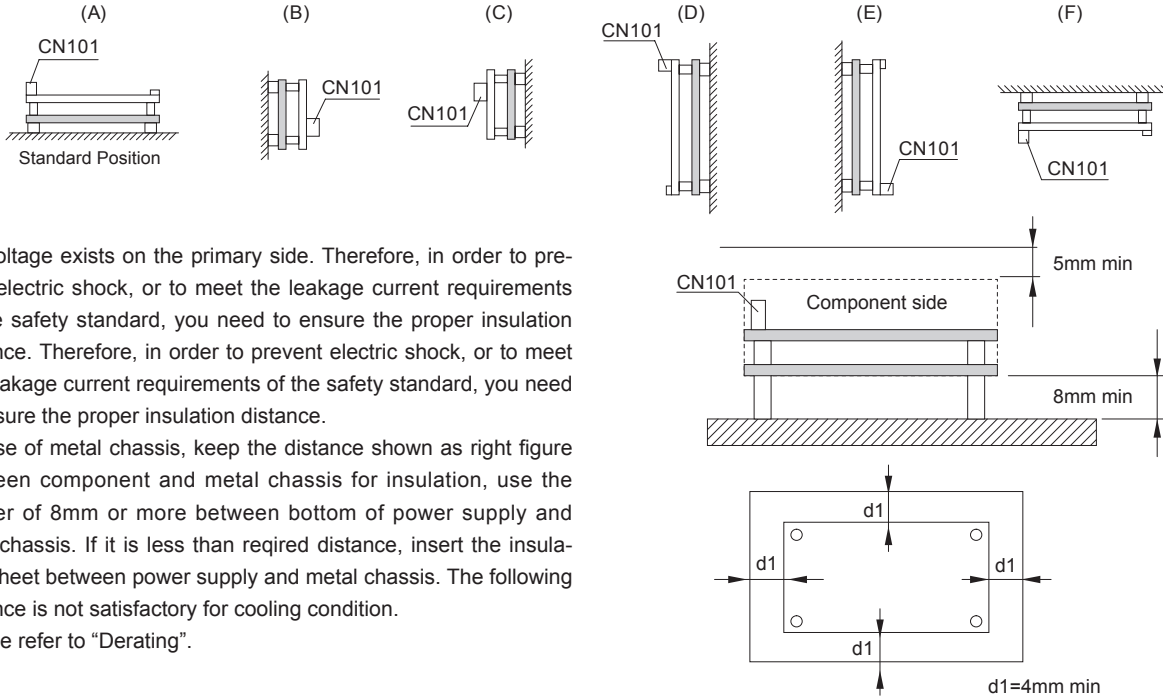
Pin No.	Function
1	AUX1G : AUX1 (GND)
2	AUX1 : AUX1 (12V 1A)



CN701

Assembling and Installation Method

■ Mounting method

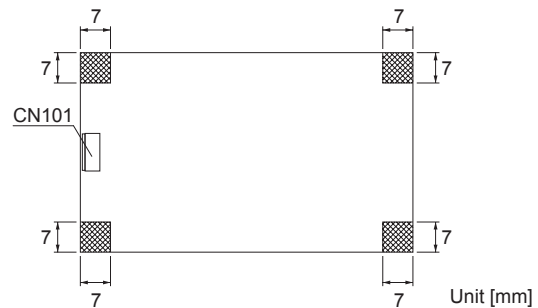


■ AC voltage exists on the primary side. Therefore, in order to prevent electric shock, or to meet the leakage current requirements of the safety standard, you need to ensure the proper insulation distance. Therefore, in order to prevent electric shock, or to meet the leakage current requirements of the safety standard, you need to ensure the proper insulation distance.

■ In case of metal chassis, keep the distance shown as right figure between component and metal chassis for insulation, use the spacer of 8mm or more between bottom of power supply and metal chassis. If it is less than required distance, insert the insulation sheet between power supply and metal chassis. The following distance is not satisfactory for cooling condition. Please refer to "Derating".

Mounting screw

- The mounting screw should be M3. The hatched area shows the allowance of metal parts for mounting.
- If metallic fittings are used on the component side of the board, ensure there is no contact with surface mounted components.
- This product uses SMD technology. Please avoid the PCB installation method which includes the twisting stress or the bending stress.

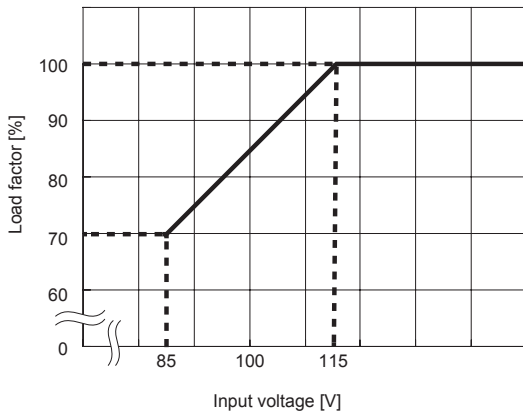


Derating

■ Cooling method

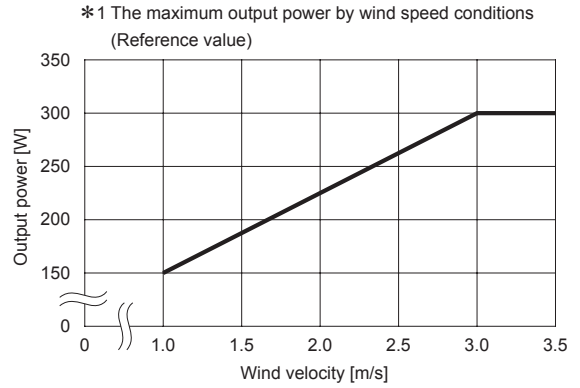
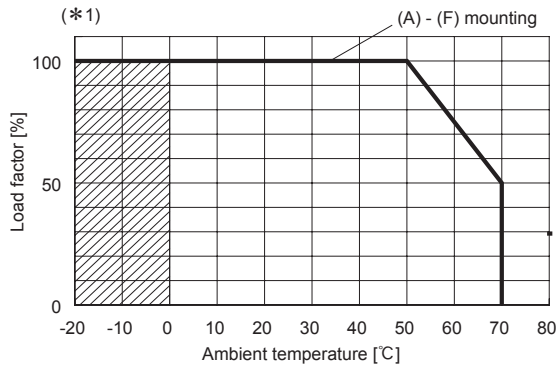
Conduction cooling are available. Please see instruction manual 3 for details. Please make sure the maximum component temperature rise given in instruction manual 3 is not exceeded.

● Derating curve for input voltage



Derating

● Ambient temperature derating curve at forced air (Reference value)



- Specifications for ripple and ripple noise changes in the shaded area.
- Please see instruction manual 3 for recommended cooling condition.

Instruction Manual

◆ It is necessary to read the “Instruction Manual” and “Before using our product” before you use our product.

Instruction Manual <https://www.cosel.co.jp/redirect/catalog/en/GMA/>  
 Before using our product <https://en.cosel.co.jp/technical/caution/index.html>

GMA



NOTICE



Basic Characteristics Data

Model	Circuit method	Switching frequency [kHz]	Input current *1 [A]	Inrush current protection	PCB/Pattern			Series/Parallel operation availability	
					Material	Single sided	Double sided	Series operation	Parallel operation
GMA300F	Active filter	40 - 120	3.3	Thermistor	FR-4	-	Yes	Yes	No
	LLC resonant converters	90 - 180							

\*1 The value of input current is at ACIN 115V and rated load.