

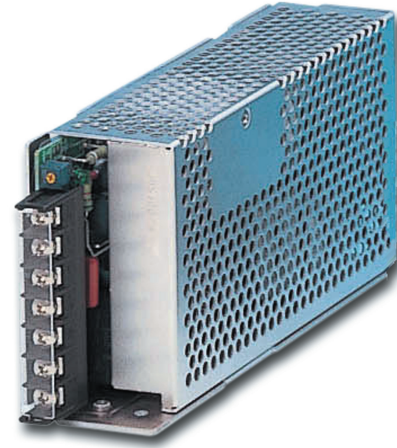
Triple Output Industrial Power Supplies

Features

- ◆ 5 Year Warranty
- ◆ Power factor Corrected
- ◆ Approved to VDE0160 Machinery Directive
- ◆ Universal Input (85 - 265VAC)
- ◆ Level B EMI

Key Market Segments & Applications

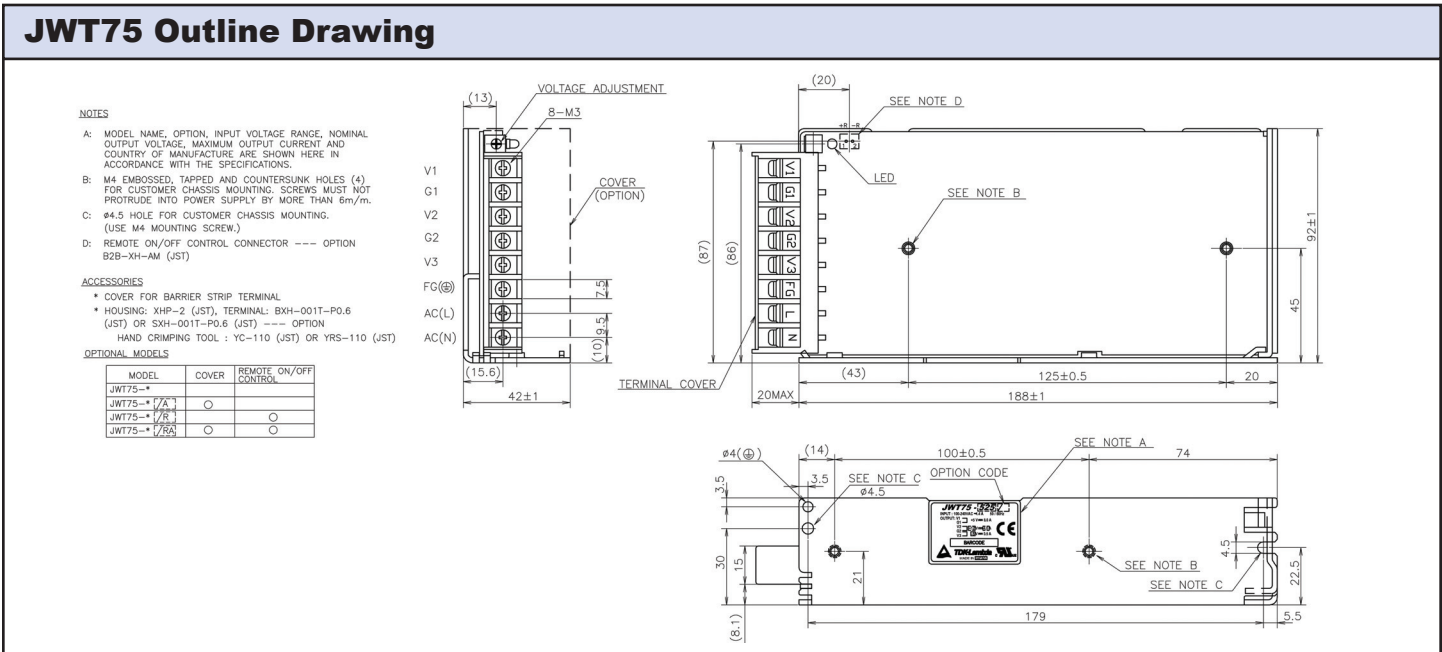
- ◆ Factory Automation Process Control, NC-Machining, Automotive, Packaging Equipment, Materials Handling, Chemical Processing, Robots
- ◆ Test & Measurement Burn-in & Test, Automated Test, Instrumentation, Measurement, Detection



Not recommended for new designs - see CUT series

Specifications		JWT75	JWT100
Max Output Power	W	75	100
Efficiency (Typ)	%	72	
Input Voltage range	-	85 - 265VAC (47 - 63Hz) or 120 - 330VDC	
Input Current Typ	A	1.2 / 0.6	1.4 / 0.7
Inrush Current	A	14A at 100VAC, 28A at 200VAC input	
Power Factor	-	Meets EN61000-3-2	
Output Voltage Accuracy	-	V1 variable, V2 & V3 +/-5%	
Temperature Coefficient	-	V1 & V2 <0.02%/°C, V3 <0.03%/°C	
Overcurrent Protection	-	>105%	
Overvoltage Protection	V	Main output only: 5.7 - 7V	
Hold Up Time (Typ)	ms	20	
Leakage Current	-	0.75mA Max, 0.44mA typical at 230VAC	
Operating Temperature	-	-10°C to +65°C, derate linearly to 50% load from 50°C to 65°C -10°C to +50°C, derate linearly to 60% load from 40°C to 50°C with cover	
Storage Temperature	-	-30 to +85°C	
Humidity	-	30 - 90% RH (operating), 10 - 95% RH (non operating)	
Cooling	-	Convection	
Withstand Voltage	-	Input to Ground 2kVAC (20mA), Input to Output 3kVAC (20mA), Output to Ground 500VAC (100mA) for 1 min.	
Isolation Resistance	-	>100M at 25°C & 70%RH, Output to Ground 500VDC	
Vibration (non operating)	-	10 - 55Hz (1 minute sweep), 2G constant X, Y, Z 1 hour	
Shock	-	<20G	
Safety Agency Approvals	-	IEC/UL/CSA/EN62368-1, 60950-1, CE Mark	
Conducted & Radiated EMI	-	EN55011 / EN55022-B, FCC Class B, VCCI-B	
Recommended EMI Filter	-	RSEL-2002W	
Weight (Typ)	g	600	720
Size (WxHxD)	mm	42 x 92 x 188	48 x 92 x 203
Warranty	-	Five Years	

Model Selector									
Model	Output	Voltage	Adjust. Range	Min Current (A)	Max Current (A)	Load Reg (mV)	Line Reg (mV)	Ripple Noise (mV)	
JWT75-522/A	V1	+5V	5 - 5.25	0.8	8	40	20	120	
	V2	+12V	-	0	4	100	48	150	
	V3	-12V	-	0	0.5	150	48	150	
JWT75-5FF/A	V1	+5V	5 - 5.25	0.8	8	40	20	120	
	V2	+15V	-	0	3.2	120	60	150	
	V3	-15V	-	0	0.5	150	60	150	
JWT75-525/A	V1	+5V	5 - 5.25	0.8	8	40	20	120	
	V2	+12V	-	0	4	100	48	150	
	V3	-5V	-	0	0.5	100	20	150	
JWT100-522/A	V1	+5V	5 - 5.25	1.3	13	40	20	120	
	V2	+12V	-	0	5.5	100	48	150	
	V3	-12V	-	0	1	150	48	150	
JWT100-5FF/A	V1	+5V	5 - 5.25	1.3	13	40	20	120	
	V2	+15V	-	0	4.5	120	60	150	
	V3	-15V	-	0	1	150	60	150	
JWT100-525/A	V1	+5V	5 - 5.25	1.3	13	40	20	120	
	V2	+12V	-	0	5.5	100	48	150	
	V3	-5V	-	0	1	100	20	150	



Options

Suffix	Description
Blank	Screw terminals, no cover
/A	Screw terminals, cover (Standard US stock item)
/B*	Molex terminals, no cover
/C*	Molex terminals, cover
/R	Remote On / Off

* Obsolete effective May 1st, 2020

Example JWT75-525/RA

Dimensions Table

	Height (H)	Width (W)	Depth (D)
JWT75	1.65	3.62	7.40
JWT100	1.89	3.62	7.99

For additional information, please visit <https://product.tdk.com/en/power/>



Not recommended for new designs - see CUT series